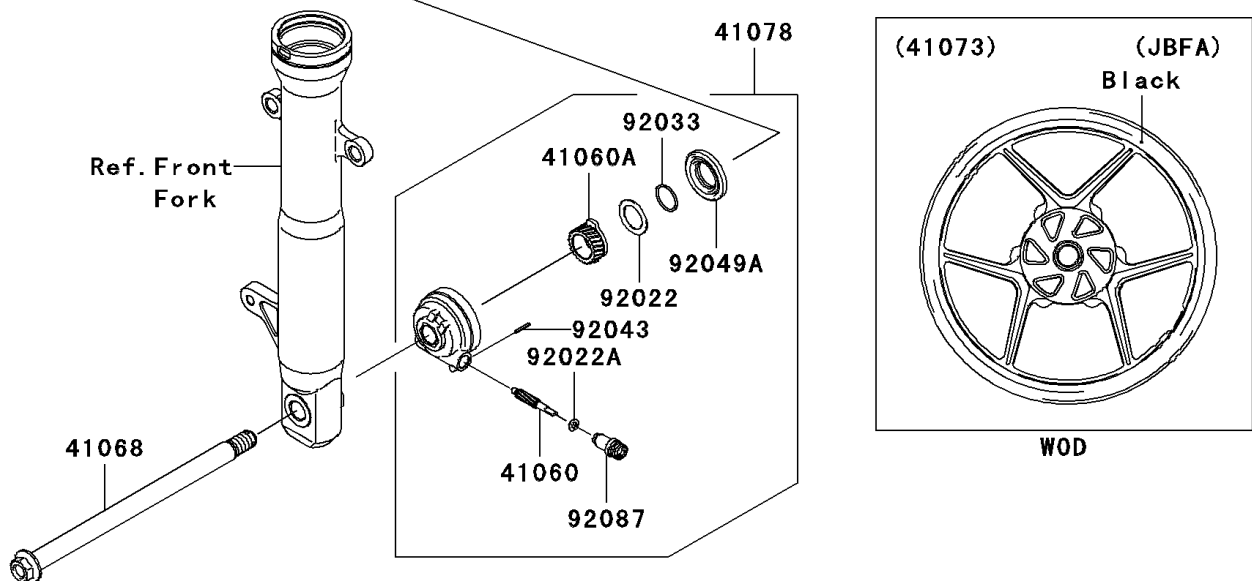
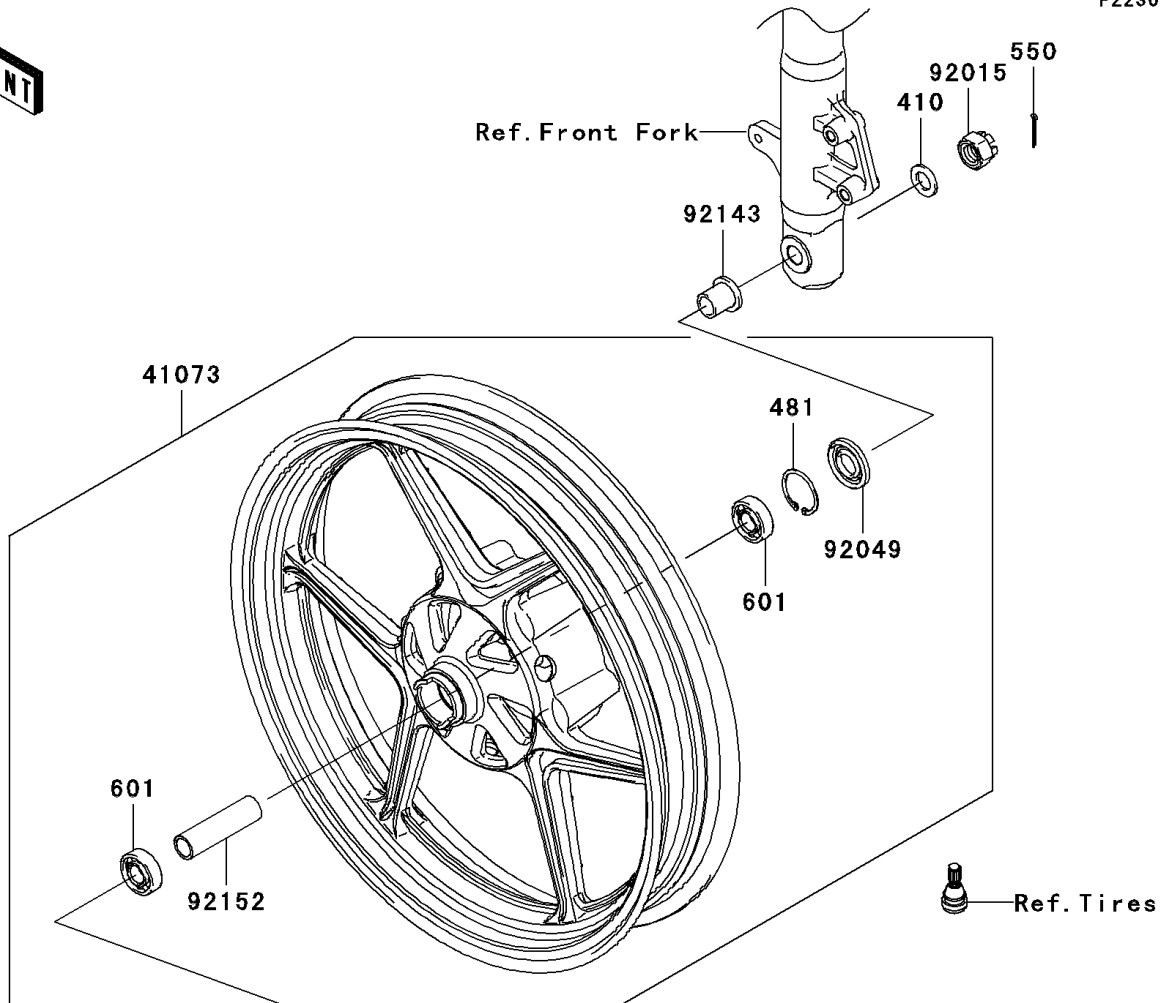


2011 NINJA® 250R PARTS DIAGRAM

Front Wheel



F2230



2011 NINJA® 250R PARTS LIST

Front Wheel

ITEM NAME	PART NUMBER	QUANTITY
WASHER-PLAIN-SMALL,14MM (Ref # 410)	410AA1400	1
CIRCLIP-TYPE-C,35MM (Ref # 481)	481J3500	1
PIN-COTTER,3.0X25 (Ref # 550)	550AA3025	1
BEARING-BALL (Ref # 601)	601B6202UU	1
GEAR-METER SCREW,9T (Ref # 41060)	41060-0004	1
GEAR-METER SCREW,23T (Ref # 41060A)	41060-0005	1
AXLE,FR (Ref # 41068)	41068-0024	1
WHEEL-ASSY,FR,G.BLACK (Ref # 41073)	41073-0178-QT	1
CASE-ASSY-METER GEAR (Ref # 41078)	41078-0010	1
NUT,CASTLE,14MM (Ref # 92015)	92015-1765	1
WASHER,20X29X1.0 (Ref # 92022)	92022-1510	1
WASHER,5X9.5X0.8 (Ref # 92022A)	92022-1511	1
RING-SNAP,19MM (Ref # 92033)	92033-1160	1
PIN,SPRING,2X14 (Ref # 92043)	92043-1220	1
SEAL-OIL (Ref # 92049)	92049-0136	1
SEAL-OIL,SD42 50 6 (Ref # 92049A)	92049-1173	1
BUSHING-METER GEAR (Ref # 92087)	92087-1051	1
COLLAR,FR AXLE,L=24 (Ref # 92143)	92143-1187	1
COLLAR,FR HUB,L=74.5 (Ref # 92152)	92152-0525	1