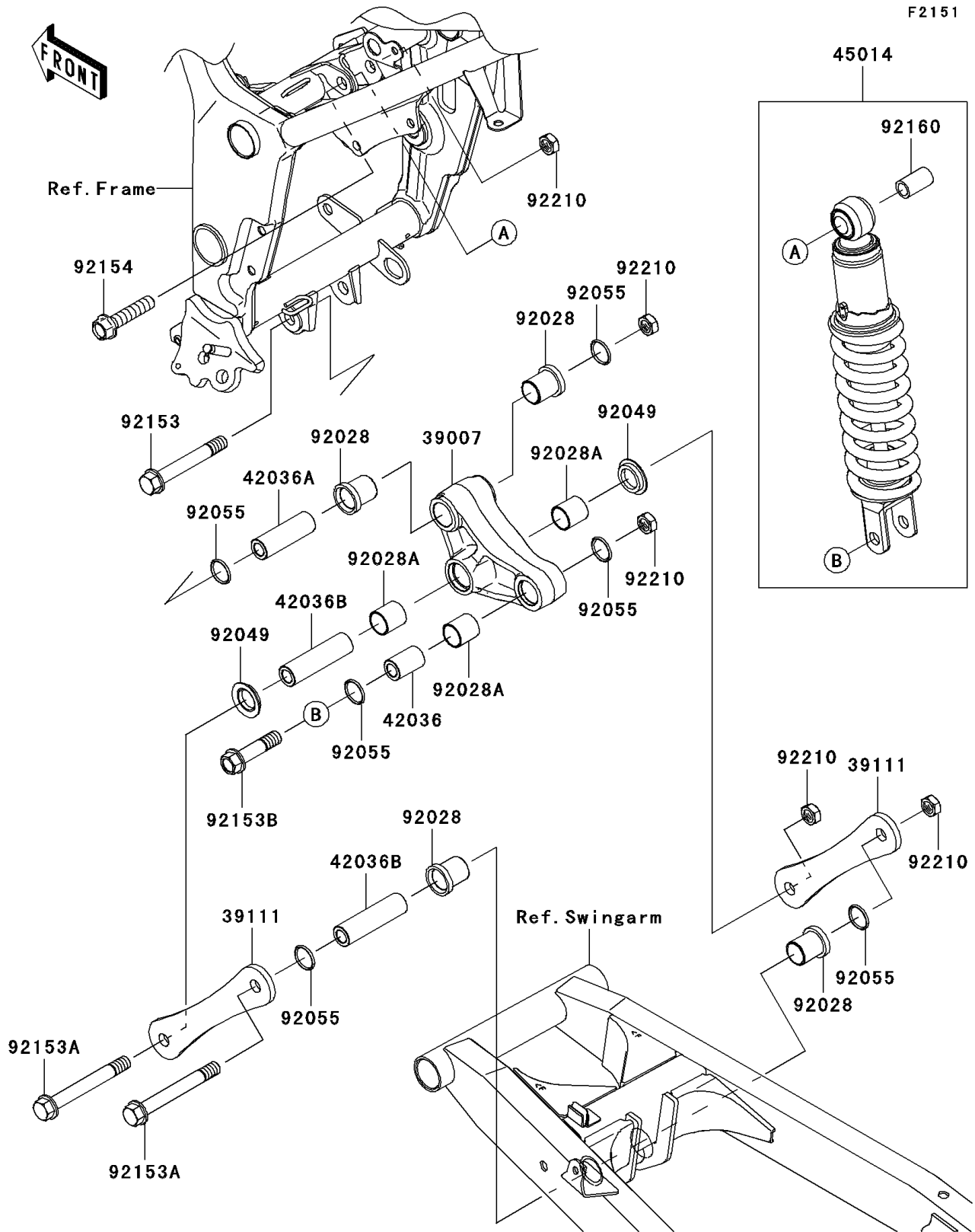


## 2011 NINJA® 250R PARTS DIAGRAM

Suspension/Shock Absorber



## 2011 NINJA® 250R PARTS LIST

Suspension/Shock Absorber

ITEM NAME	PART NUMBER	QUANTITY
ARM-SUSP,UNI TRAK (Ref # 39007)	39007-0159	1
ROD-TIE,SUSPENSION (Ref # 39111)	39111-0076	1
SLEEVE,12.1X20X32 (Ref # 42036)	42036-1077	1
SLEEVE,ARM,FR (Ref # 42036A)	42036-1078	1
SLEEVE,12.1X20X74 (Ref # 42036B)	42036-1102	1
SHOCK,SPRING BLK+BODY BLK (Ref # 45014)	45014-0234-23J	1
BUSHING (Ref # 92028)	92028-1597	1
BUSHING (Ref # 92028A)	92028-1598	1
SEAL-OIL,ARM (Ref # 92049)	92049-1109	1
RING-O,19.8X2.2 (Ref # 92055)	92055-1215	1
BOLT,FLANGED,12X86 (Ref # 92153)	92153-1830	1
BOLT,FLANGED,12X98 (Ref # 92153A)	92153-1831	1
BOLT,FLANGED,12X52 (Ref # 92153B)	92153-1832	1
BOLT,FLANGED,12X55 (Ref # 92154)	92154-0362	1
DAMPER,SHOCKABSORBER (Ref # 92160)	92160-1161	1
NUT,LOCK,12MM (Ref # 92210)	92210-1247	1