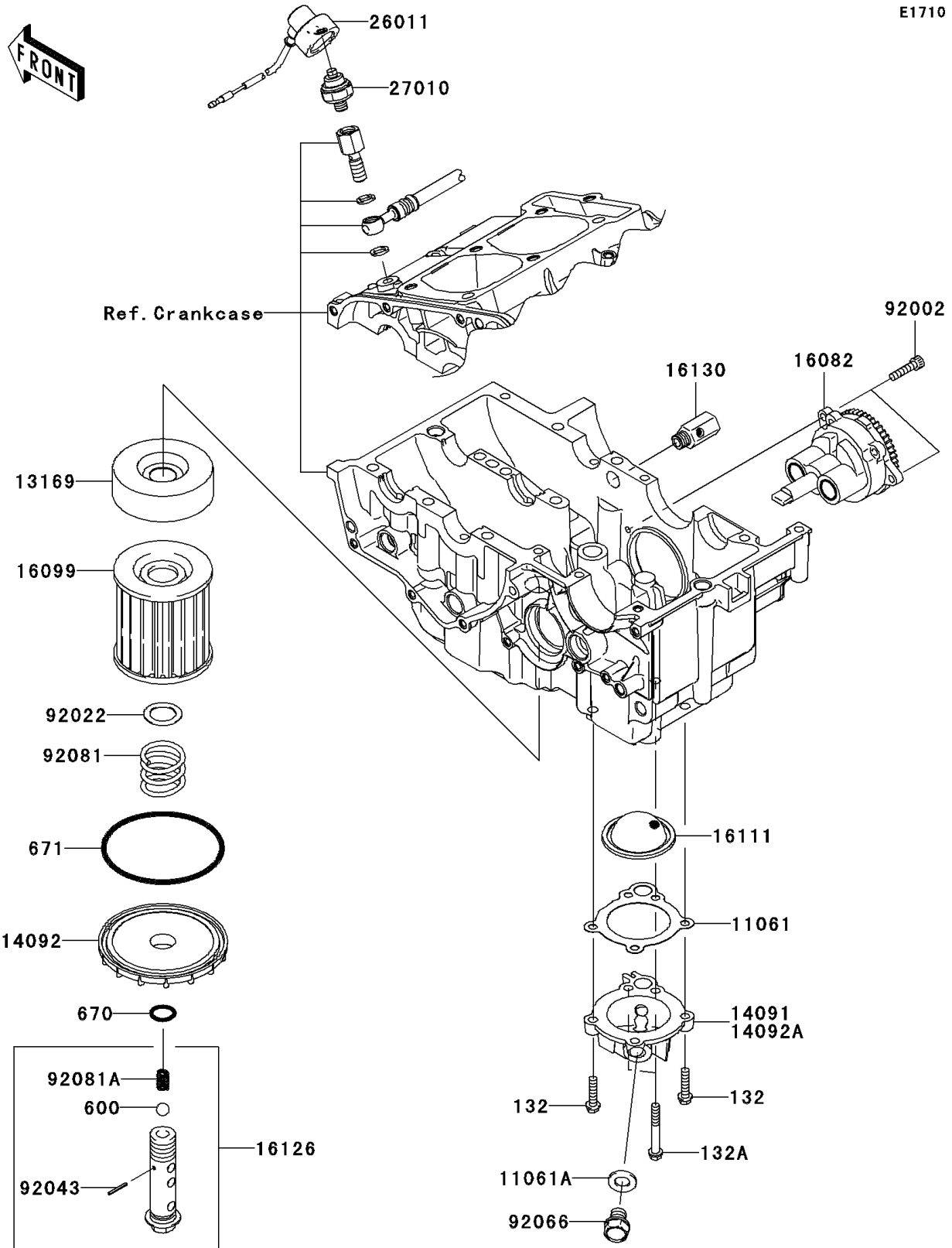


2011 NINJA® 250R PARTS DIAGRAM

Oil Pump/Oil Filter

E1710



2011 NINJA® 250R PARTS LIST

Oil Pump/Oil Filter

ITEM NAME	PART NUMBER	QUANTITY
BOLT-FLANGED-SMALL,6X25 (Ref # 132)	132BB0625	1
BOLT-FLANGED-SMALL,6X45 (Ref # 132A)	132BB0645	1
BALL-STEEL,3/8" (Ref # 600)	600A1200	1
O RING,16MM (Ref # 670)	670B2016	1
O RING,90MM (Ref # 671)	671B2590	1
GASKET,1ST FILTER COVER (Ref # 11061)	11061-0341	1
GASKET,12X22X2 (Ref # 11061A)	11061-0417	1
PLATE,OIL FILTER (Ref # 13169)	13169-1313	1
COVER,1ST FILTER (Ref # 14091)	14091-1575	1
COVER,OIL FILTER (Ref # 14092)	14092-0132	1
PUMP-ASSY-OIL (Ref # 16082)	16082-0055	1
ELEMENT-OIL FILTER (Ref # 16099)	16099-003	1
FILTER,OIL (Ref # 16111)	16111-003	1
VALVE,OIL FILTER (Ref # 16126)	16126-1108	1
VALVE-ASSY-RELIEF (Ref # 16130)	16130-1063	1
WIRE-LEAD,OIL PRESSURE SW (Ref # 26011)	26011-0200	1
SWITCH,OIL PRESSURE (Ref # 27010)	27010-1360	1
BOLT,SOCKET,6X25 (Ref # 92002)	92002-1696	1
WASHER,20.5X30X1 (Ref # 92022)	92022-1012	1
PIN,SPRING,2X20 (Ref # 92043)	92043-111	1
PLUG,OIL DRAIN,12X15 (Ref # 92066)	92066-1174	1
SPRING,OIL FILTER (Ref # 92081)	92081-1018	1
SPRING (Ref # 92081A)	92081-109	1