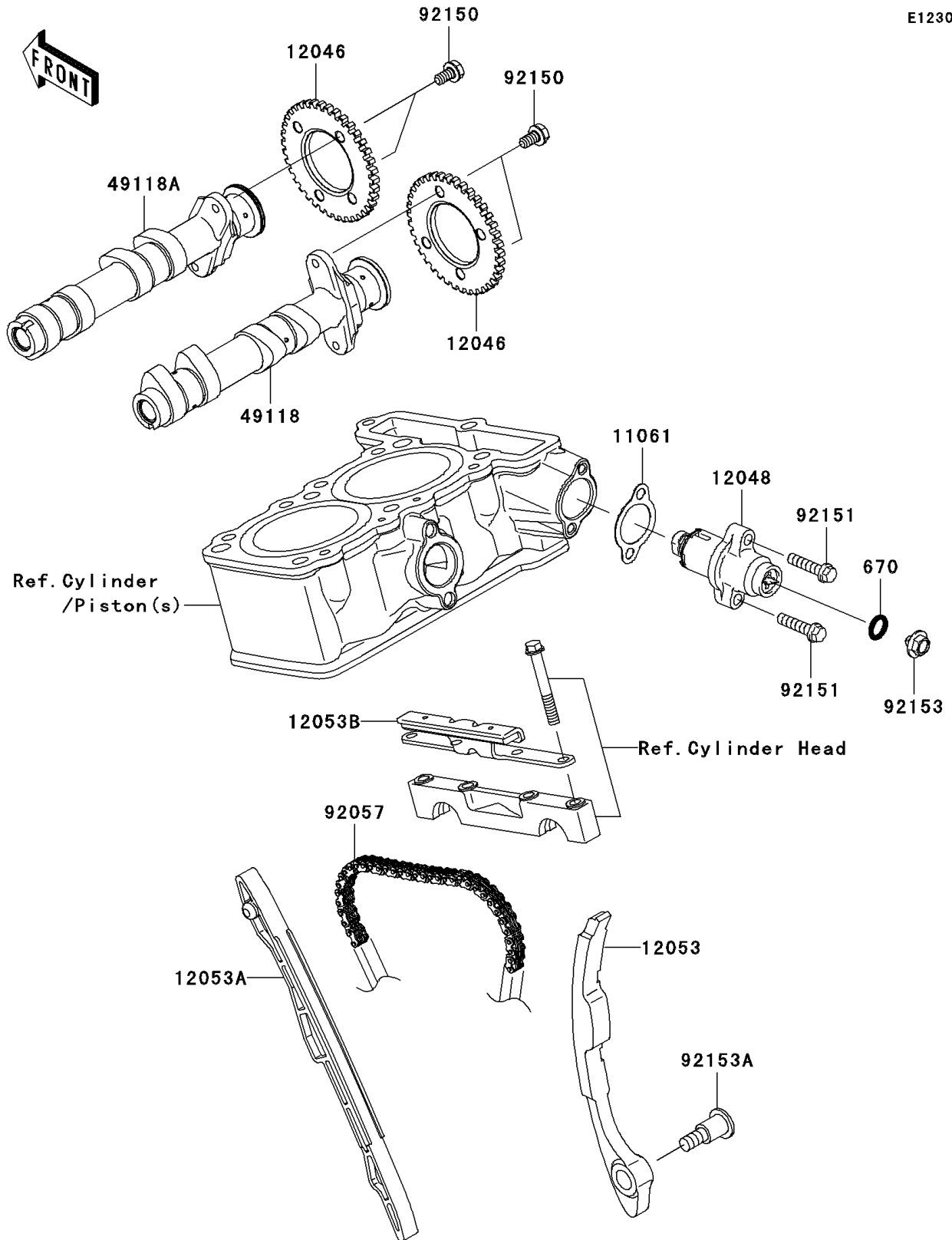


## 2011 NINJA® 250R PARTS DIAGRAM

Camshaft(s)/Tensioner

E1230



## 2011 NINJA® 250R PARTS LIST

Camshaft(s)/Tensioner

ITEM NAME	PART NUMBER	QUANTITY
O RING (Ref # 670)	670D2010	1
GASKET (Ref # 11061)	11061-0211	1
SPROCKET,38T (Ref # 12046)	12046-0072	1
TENSIONER-ASSY (Ref # 12048)	12048-0040	1
GUIDE-CHAIN,RR (Ref # 12053)	12053-0101	1
GUIDE-CHAIN,FR (Ref # 12053A)	12053-0102	1
GUIDE-CHAIN,UPP (Ref # 12053B)	12053-0139	1
CAMSHAFT-COMP,INTAKE (Ref # 49118)	49118-0098	1
CAMSHAFT-COMP,EXHAUST (Ref # 49118A)	49118-0099	1
CHAIN,CAM.92RH2010-124M (Ref # 92057)	92057-0156	1
BOLT,FLANGED,6X11 (Ref # 92150)	92150-1725	1
BOLT,FLANGED-SMALL,6X25 (Ref # 92151)	92151-1930	1
BOLT,FLANGED,6X6 (Ref # 92153)	92153-1763	1
BOLT,SOCKET,8X29.2 (Ref # 92153A)	92153-1808	1