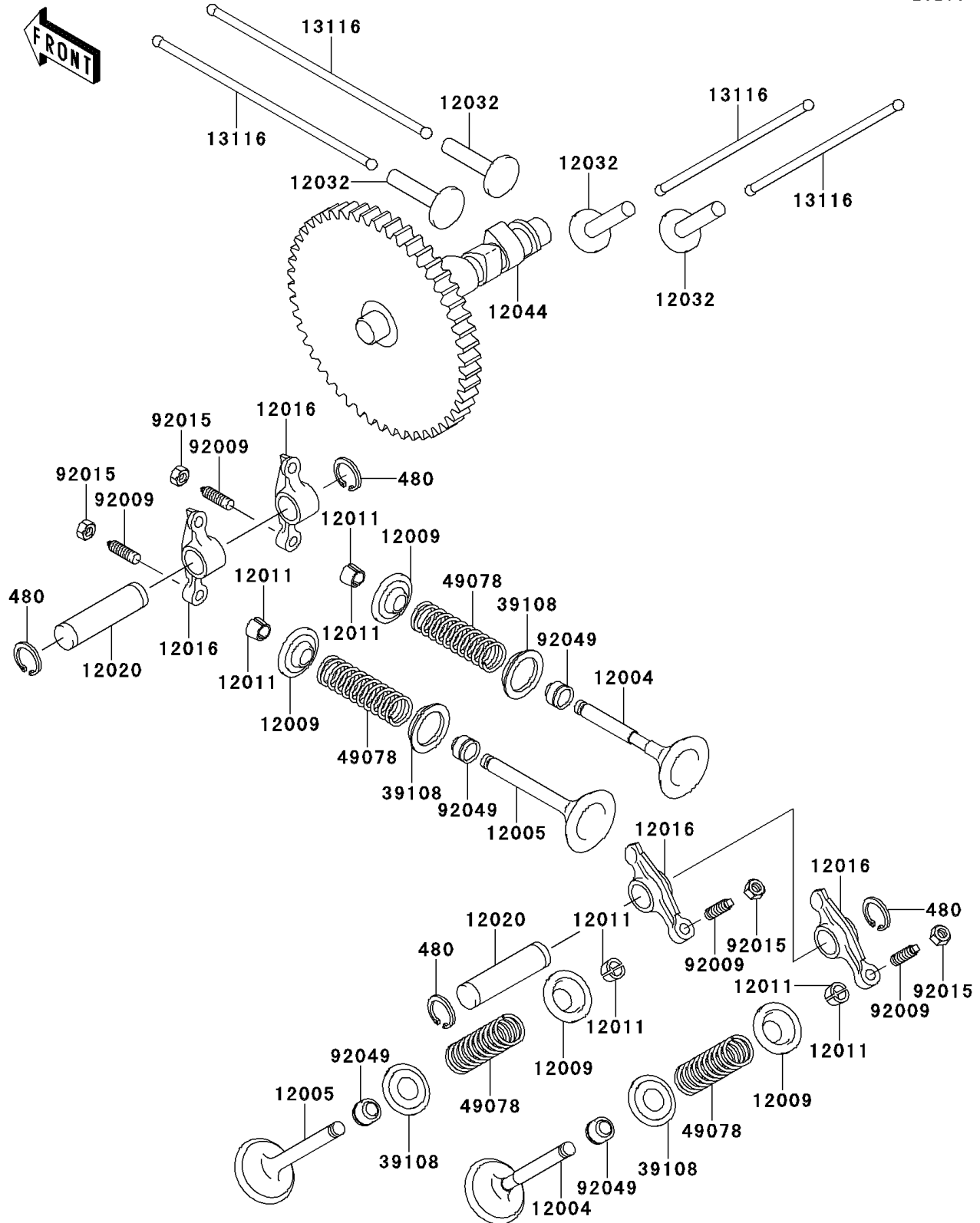


## 2009 MULE™ 4010 4x4 PARTS DIAGRAM

Valve(s)/Camshaft(s)

E1211



## 2009 MULE™ 4010 4x4 PARTS LIST

Valve(s)/Camshaft(s)

ITEM NAME	PART NUMBER	QUANTITY
CIRCLIP-TYPE-C,12MM (Ref # 480)	480J1200	1
VALVE-INTAKE (Ref # 12004)	12004-2115	1
VALVE-EXHAUST (Ref # 12005)	12005-2093	1
RETAINER-VALVE SPRING (Ref # 12009)	12009-2067	1
COLLET (Ref # 12011)	12011-2056	1
ARM-ROCKER (Ref # 12016)	12016-2056	1
SHAFT-ROCKER (Ref # 12020)	12020-2059	1
TAPPET (Ref # 12032)	12032-2064	1
CAMSHAFT-VALVE (Ref # 12044)	12044-2239	1
ROD-PUSH (Ref # 13116)	13116-2057	1
RETAINER-SPRING (Ref # 39108)	39108-2057	1
SPRING-ENGINE VALVE (Ref # 49078)	49078-2082	1
SCREW,VALVE ADJUST (Ref # 92009)	92009-1109	1
NUT,VALVE ADJUST LOCK (Ref # 92015)	92015-1137	1
SEAL-OIL (Ref # 92049)	92049-2109	1