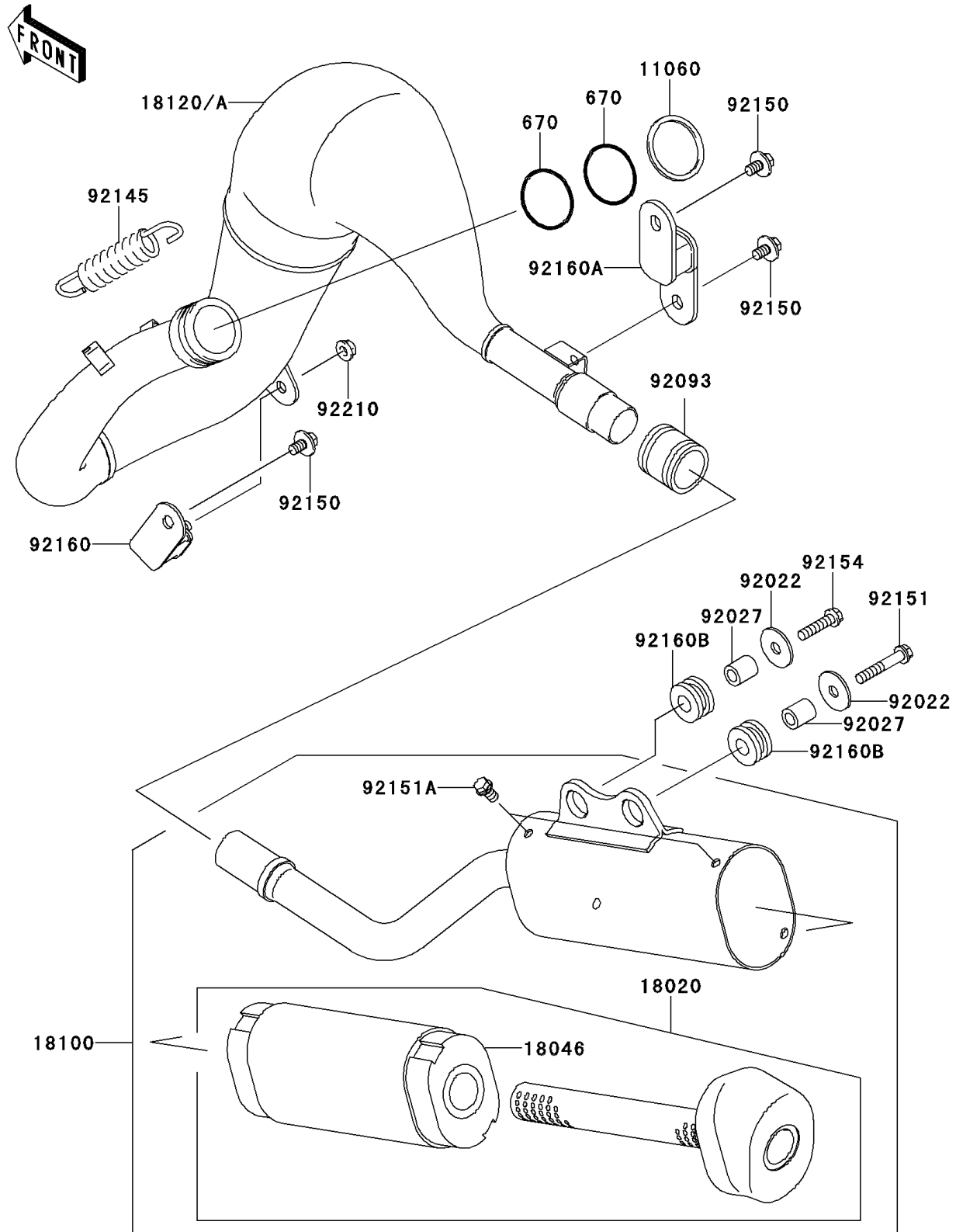


2010 PARTS DIAGRAM

Muffler(s)

E1140



2010 PARTS LIST

Muffler(s)

ITEM NAME	PART NUMBER	QUANTITY
O RING,32MM (Ref # 670)	670E3032	1
GASKET,EXHAUST (Ref # 11060)	11060-1922	1
BAFFLE (Ref # 18020)	18020-1284	1
WOOL,BAFFLE (Ref # 18046)	18046-1587	1
BODY-ASSY-MUFFLER (Ref # 18100)	18100-1092	1
CHAMBER-EXHAUST (Ref # 18120)	18120-1116	1
CHAMBER-EXHAUST (Ref # 18120A)	18120-1119	1
WASHER,6.5X22X1.6 (Ref # 92022)	92022-237	1
COLLAR,6.8X10X11.5 (Ref # 92027)	92027-1210	1
SEAL (Ref # 92093)	92093-1511	1
SPRING,EXHAUST CONNECTING (Ref # 92145)	92145-1340	1
BOLT,6X12 (Ref # 92150)	92150-1435	1
BOLT,6X35 (Ref # 92151)	92151-1135	1
BOLT,FLANGED,6X10 (Ref # 92151A)	92151-1822	1
BOLT,FLANGED,6X25 (Ref # 92154)	92154-0520	1
DAMPER,MUFFLER,FR (Ref # 92160)	92160-1176	1
DAMPER,MUFFLER,RR (Ref # 92160A)	92160-1201	1
DAMPER (Ref # 92160B)	92160-1913	1
NUT,FLANGED,6MM (Ref # 92210)	92210-0630	1