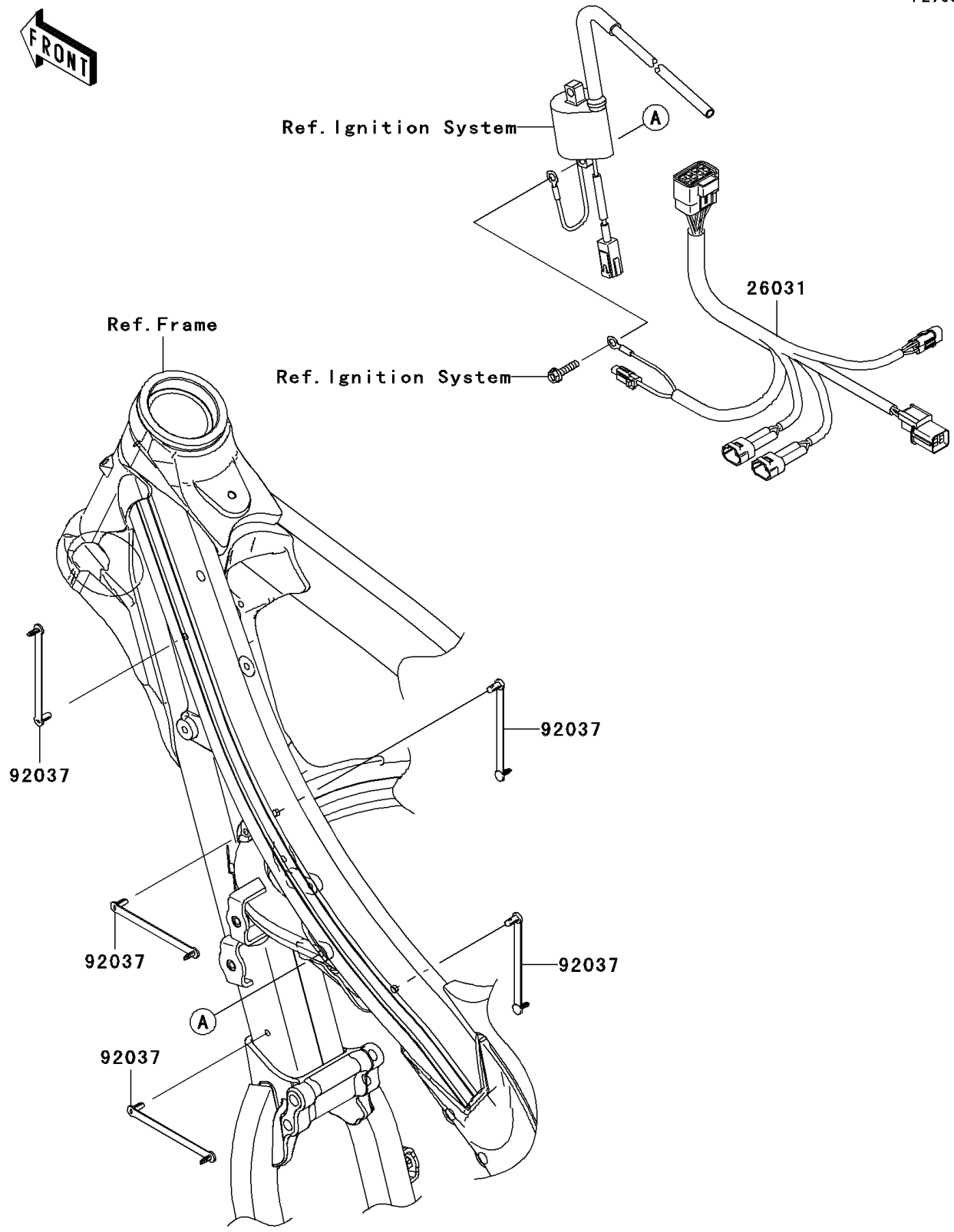


2008 KX™450F PARTS DIAGRAM

Chassis Electrical Equipment

F2760



2008 KX™450F PARTS LIST

Chassis Electrical Equipment

ITEM NAME	PART NUMBER	QUANTITY
HARNESS (Ref # 26031)	26031-0322	1
CLAMP,SPEED,L=80.5 (Ref # 92037)	92037-1903	1