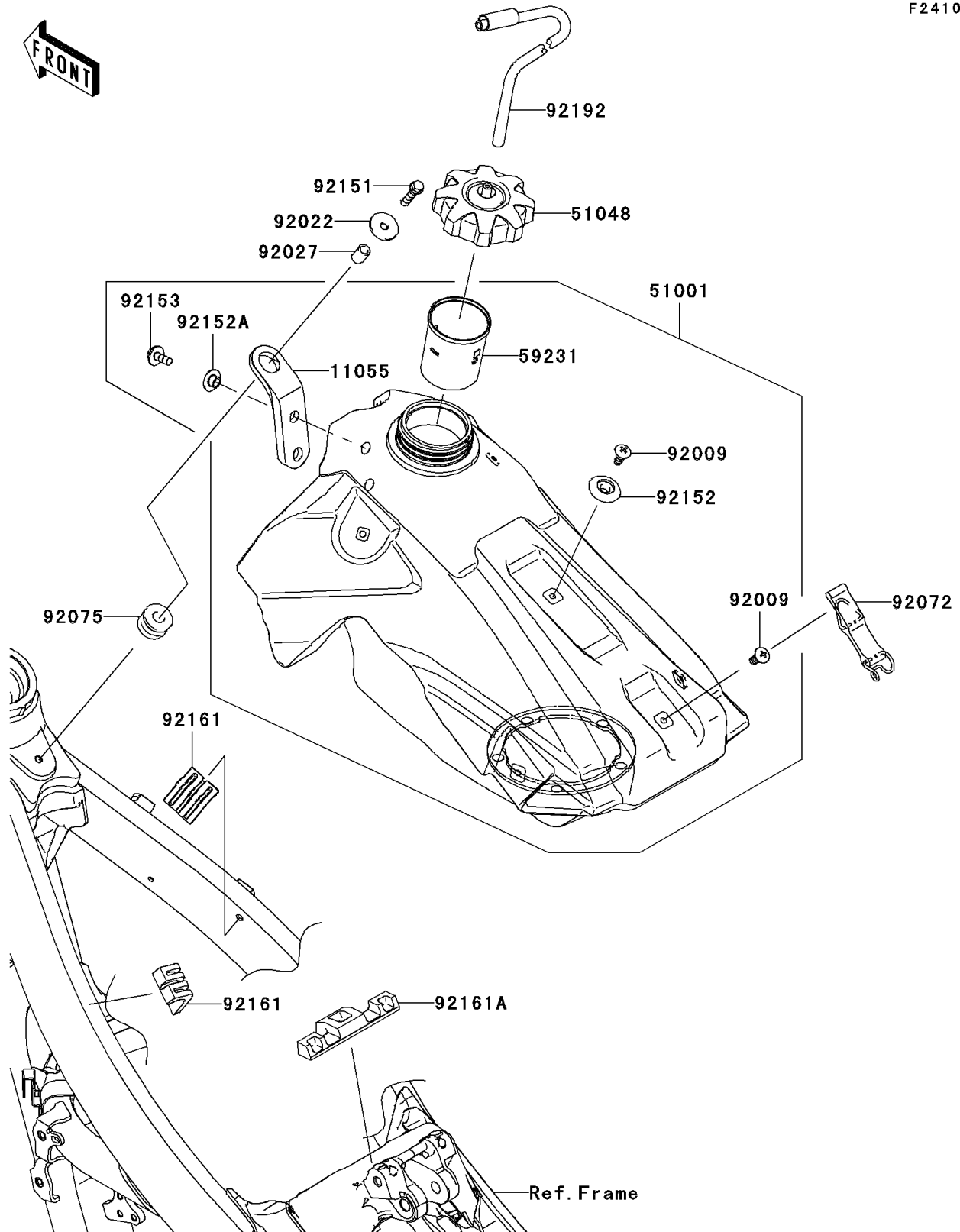


2011 KX™450F PARTS DIAGRAM

Fuel Tank

F2410



2011 KX™450F PARTS LIST

Fuel Tank

| ITEM NAME | PART NUMBER | QUANTITY |
|---------------------------------------|-------------|----------|
| BRACKET,FUEL TANK (Ref # 11055) | 11055-0698 | 1 |
| TANK-COMP-FUEL (Ref # 51001) | 51001-0390 | 1 |
| CAP-ASSY-TANK,FUEL (Ref # 51048) | 51048-0031 | 1 |
| FILLER (Ref # 59231) | 59231-0042 | 1 |
| SCREW,6MM (Ref # 92009) | 92009-1971 | 1 |
| WASHER,6.5X24X2 (Ref # 92022) | 92022-1690 | 1 |
| COLLAR,6.8X10X14 (Ref # 92027) | 92027-1966 | 1 |
| BAND,FUEL TANK (Ref # 92072) | 92072-0045 | 1 |
| DAMPER (Ref # 92075) | 92075-1787 | 1 |
| BOLT,FLANGED-SMALL,6X25 (Ref # 92151) | 92151-1930 | 1 |
| COLLAR (Ref # 92152) | 92152-0569 | 1 |
| COLLAR (Ref # 92152A) | 92152-1422 | 1 |
| BOLT,6X16 (Ref # 92153) | 92153-0863 | 1 |
| DAMPER,FUEL TANK,SIDE (Ref # 92161) | 92161-0614 | 1 |
| DAMPER,FUEL TANK,REAR (Ref # 92161A) | 92161-0634 | 1 |
| TUBE (Ref # 92192) | 92192-0161 | 1 |