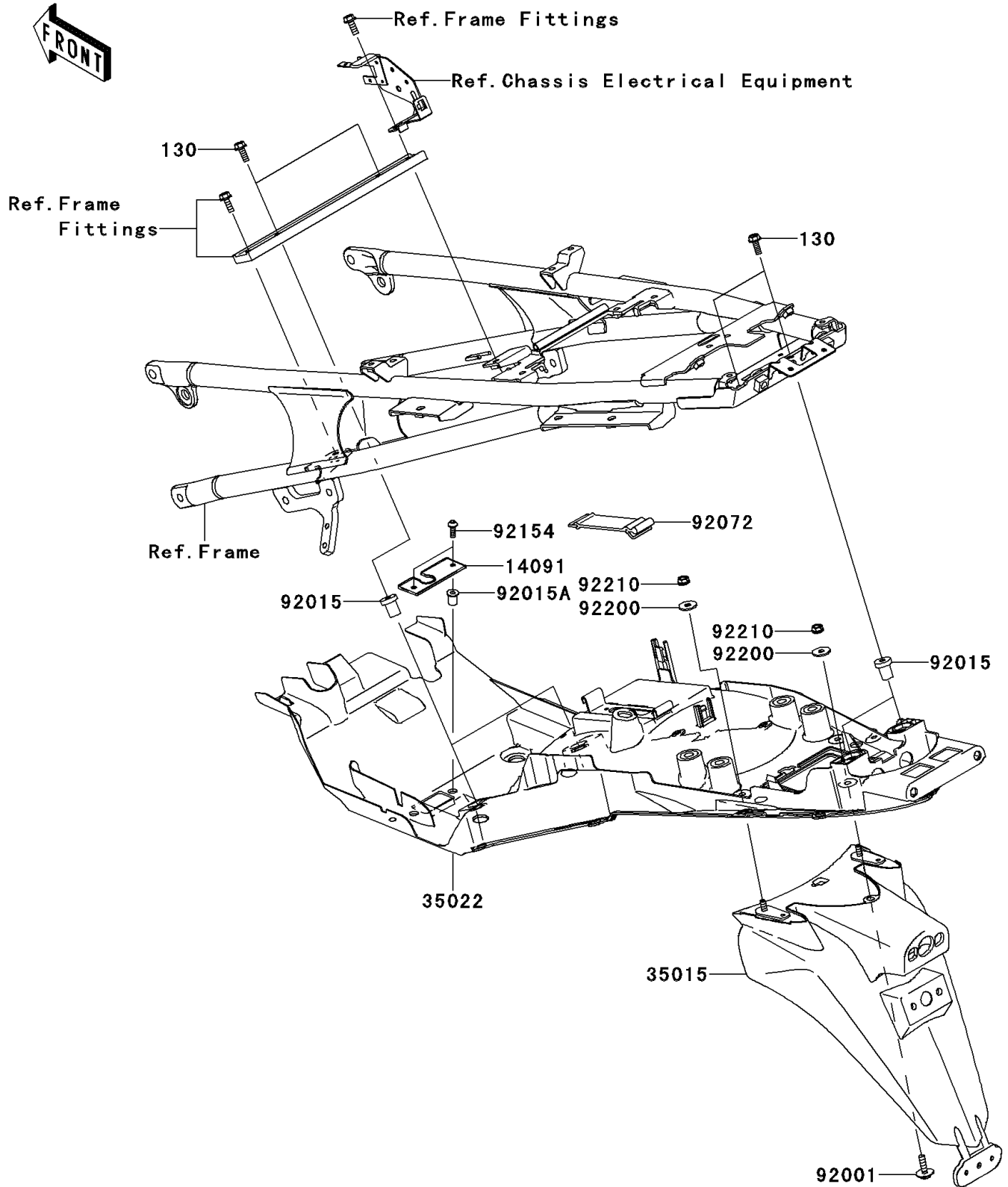


2010 Concoors® 14 ABS PARTS DIAGRAM

Rear Fender(s)

F2172



2010 Concours® 14 ABS PARTS LIST

Rear Fender(s)

ITEM NAME	PART NUMBER	QUANTITY
BOLT-FLANGED,6X25 (Ref # 130)	130BA0625	1
COVER,REGULATOR HARNESS (Ref # 14091)	14091-0813	1
FLAP-COMP (Ref # 35015)	35015-0015	1
FENDER-COMP-REAR,FR (Ref # 35022)	35022-0048	1
BOLT,UPSET-WP,6X22 (Ref # 92001)	92001-1774	1
NUT,RUBBER,6MM (Ref # 92015)	92015-1692	1
NUT,WELL,5MM (Ref # 92015A)	92015-1757	1
BAND (Ref # 92072)	92072-1044	1
BOLT,SOCKET,5X16 (Ref # 92154)	92154-0209	1
WASHER,6.5X20X1.6 (Ref # 92200)	92200-0283	1
NUT,LOCK,FLANGED,6MM (Ref # 92210)	92210-0303	1