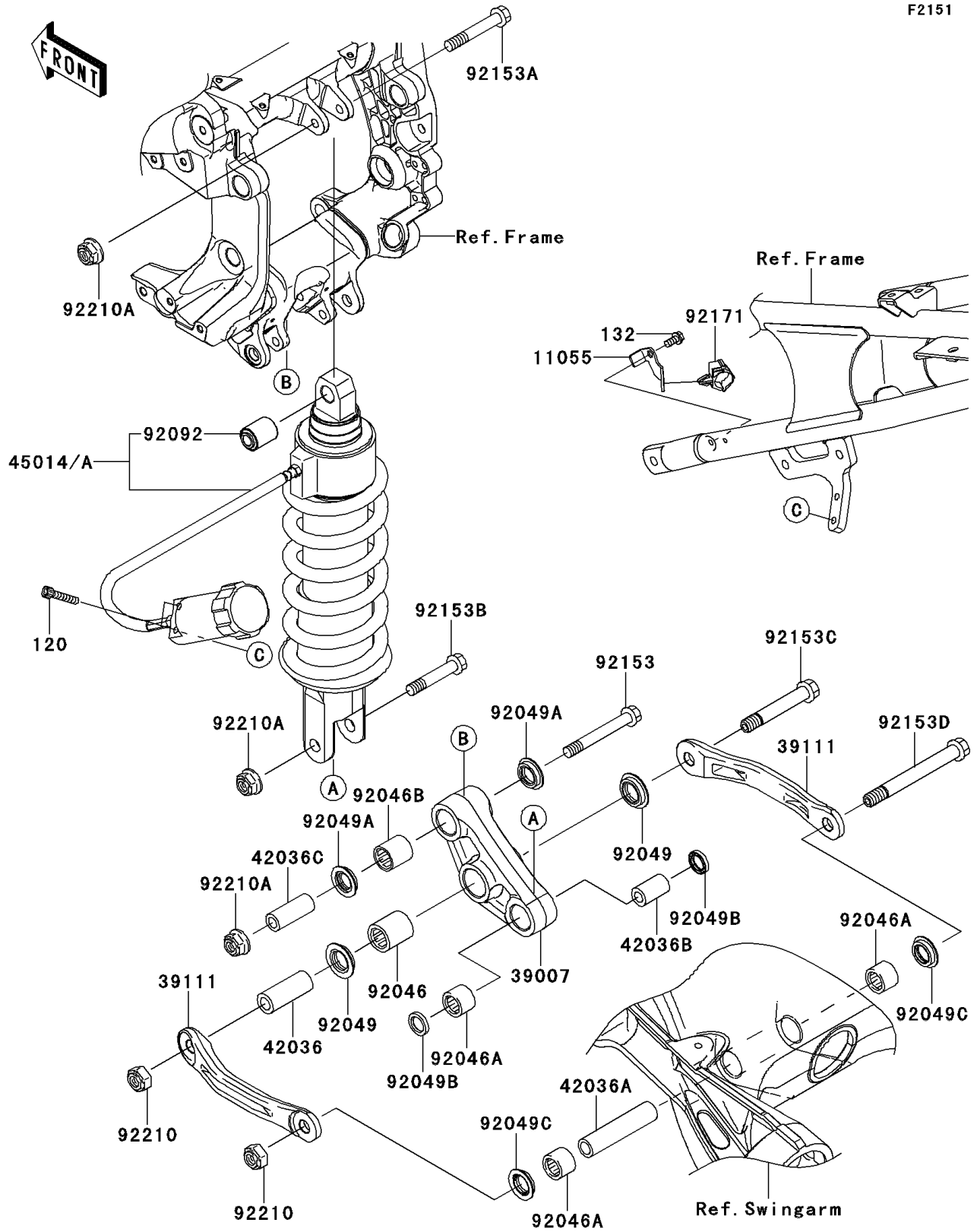


## 2010 Concours® 14 ABS PARTS DIAGRAM

Suspension/Shock Absorber

F2151



## 2010 Concours® 14 ABS PARTS LIST

Suspension/Shock Absorber

ITEM NAME	PART NUMBER	QUANTITY
BOLT-SOCKET,6X30 (Ref # 120)	120CA0630	1
BOLT-FLANGED-SMALL,6X12 (Ref # 132)	132BA0612	1
BRACKET (Ref # 11055)	11055-1298	1
ARM-SUSP (Ref # 39007)	39007-0120	1
ROD-TIE,SUSPENSION (Ref # 39111)	39111-0038	1
SLEEVE,12.1X20X50 (Ref # 42036)	42036-1111	1
SLEEVE,12.1X18X82 (Ref # 42036A)	42036-1231	1
SLEEVE,10.1X18X30 (Ref # 42036B)	42036-1258	1
SLEEVE,10.1X17X44.5 (Ref # 42036C)	42036-1342	1
SHOCK,SPRING SIL+BODY BLK (Ref # 45014)	45014-0289-23A	1
BEARING-NEEDLE,7E-HVS20X27X30 (Ref # 92046)	92046-0029	1
BEARING-NEEDLE,SFYZM182417 (Ref # 92046A)	92046-1272	1
BEARING-NEEDLE,SFYZM172425 (Ref # 92046B)	92046-1273	1
SEAL-OIL,ARM (Ref # 92049)	92049-1109	1
SEAL-OIL,MHA17245.7F (Ref # 92049A)	92049-1223	1
SEAL-OIL,MHA18244 (Ref # 92049B)	92049-1225	1
SEAL-OIL,KCR MF018N1 (Ref # 92049C)	92049-1493	1
BUSHING-RUBBER (Ref # 92092)	92092-1058	1
BOLT,FLANGED,10X77 (Ref # 92153)	92153-1613	1
BOLT,FLANGED,10X62 (Ref # 92153A)	92153-1614	1
BOLT,FLANGED,10X55 (Ref # 92153B)	92153-1615	1
BOLT,FLANGED,12X76 (Ref # 92153C)	92153-1844	1
BOLT,FLANGED,12X111 (Ref # 92153D)	92153-1845	1
CLAMP,BRAKE HOSE (Ref # 92171)	92171-0316	1
NUT,LOCK,12MM (Ref # 92210)	92210-0274	1
NUT,LOCK,FLANGED,10MM (Ref # 92210A)	92210-1139	1