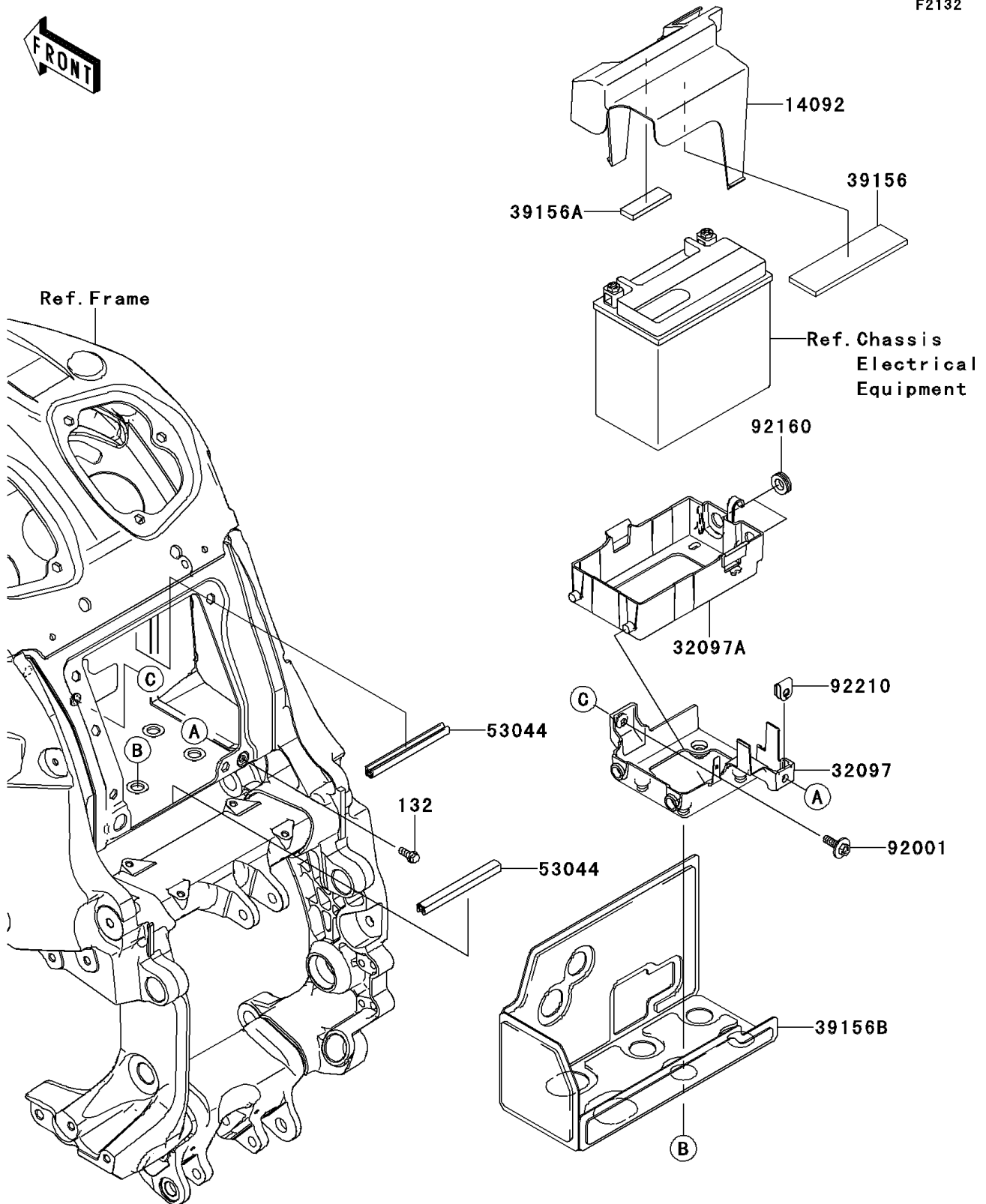


2010 Concours® 14 ABS PARTS DIAGRAM

Battery Case

F2132



2010 Concours® 14 ABS PARTS LIST

Battery Case

| ITEM NAME | PART NUMBER | QUANTITY |
|-------------------------------------|-------------|----------|
| BOLT-FLANGED-SMALL,6X14 (Ref # 132) | 132BA0614 | 1 |
| COVER,BATTERY,UPP (Ref # 14092) | 14092-0034 | 1 |
| CASE-BATTERY (Ref # 32097) | 32097-0012 | 1 |
| CASE-BATTERY (Ref # 32097A) | 32097-0032 | 1 |
| PAD,BATTERY,UPP (Ref # 39156) | 39156-0536 | 1 |
| PAD,BATTERY,BACK (Ref # 39156A) | 39156-0537 | 1 |
| PAD,BATTERY BOX (Ref # 39156B) | 39156-0602 | 1 |
| TRIM,L=100 (Ref # 53044) | 53044-1200 | 1 |
| BOLT,UPSET-WP,6X22 (Ref # 92001) | 92001-1774 | 1 |
| DAMPER (Ref # 92160) | 92160-1278 | 1 |
| NUT,6MM (Ref # 92210) | 92210-0277 | 1 |