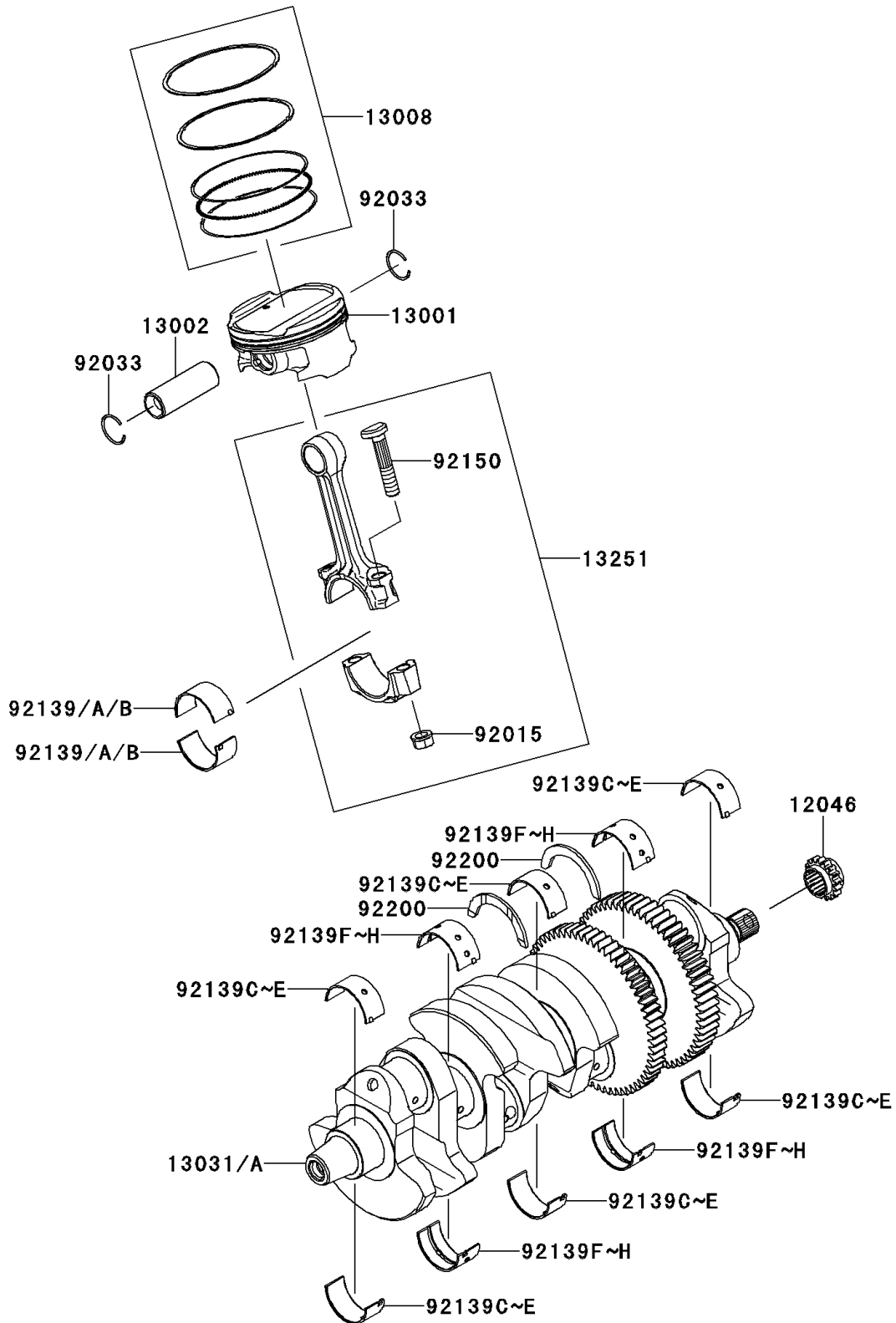


## 2010 Concours® 14 ABS PARTS DIAGRAM

Crankshaft/Piston(s)

E1320



## 2010 Concours® 14 ABS PARTS LIST

Crankshaft/Piston(s)

ITEM NAME	PART NUMBER	QUANTITY
SPROCKET,17T (Ref # 12046)	12046-0052	1
PISTON-ENGINE (Ref # 13001)	13001-0109	1
PIN-PISTON (Ref # 13002)	13002-0010	1
RING-SET-PISTON (Ref # 13008)	13008-0027	1
CRANKSHAFT-COMP (Ref # 13031)	13031-0094	1
CRANKSHAFT-COMP (Ref # 13031A)	13031-0098	1
ROD-ASSY-CONNECTING,JJ (Ref # 13251)	13251-0025-JJ	1
NUT,CONNECTING ROD (Ref # 92015)	92015-1559	1
RING-SNAP (Ref # 92033)	92033-1207	1
BUSHING,CON-ROD,BLUE (Ref # 92139)	92139-0129	1
BUSHING,CON-ROD,BLACK (Ref # 92139A)	92139-0130	1
BUSHING,CON-ROD,BROWN (Ref # 92139B)	92139-0131	1
BUSHING,CRANK #1&#3&#5,BLUE (Ref # 92139C)	92139-0132	1
BUSHING,CRANK #1&#3&#5,BLACK (Ref # 92139D)	92139-0133	1
BUSHING,CRANK #1&#3&#5,BROWN (Ref # 92139E)	92139-0134	1
BUSHING,CRANK #2&#4,BLUE (Ref # 92139F)	92139-0135	1
BUSHING,CRANK #2&#4,BLACK (Ref # 92139G)	92139-0136	1
BUSHING,CRANK #2&#4,BROWN (Ref # 92139H)	92139-0137	1
BOLT,CONNECTING ROD,9MM (Ref # 92150)	92150-1362	1
WASHER,T=2.5 (Ref # 92200)	92200-0331	1