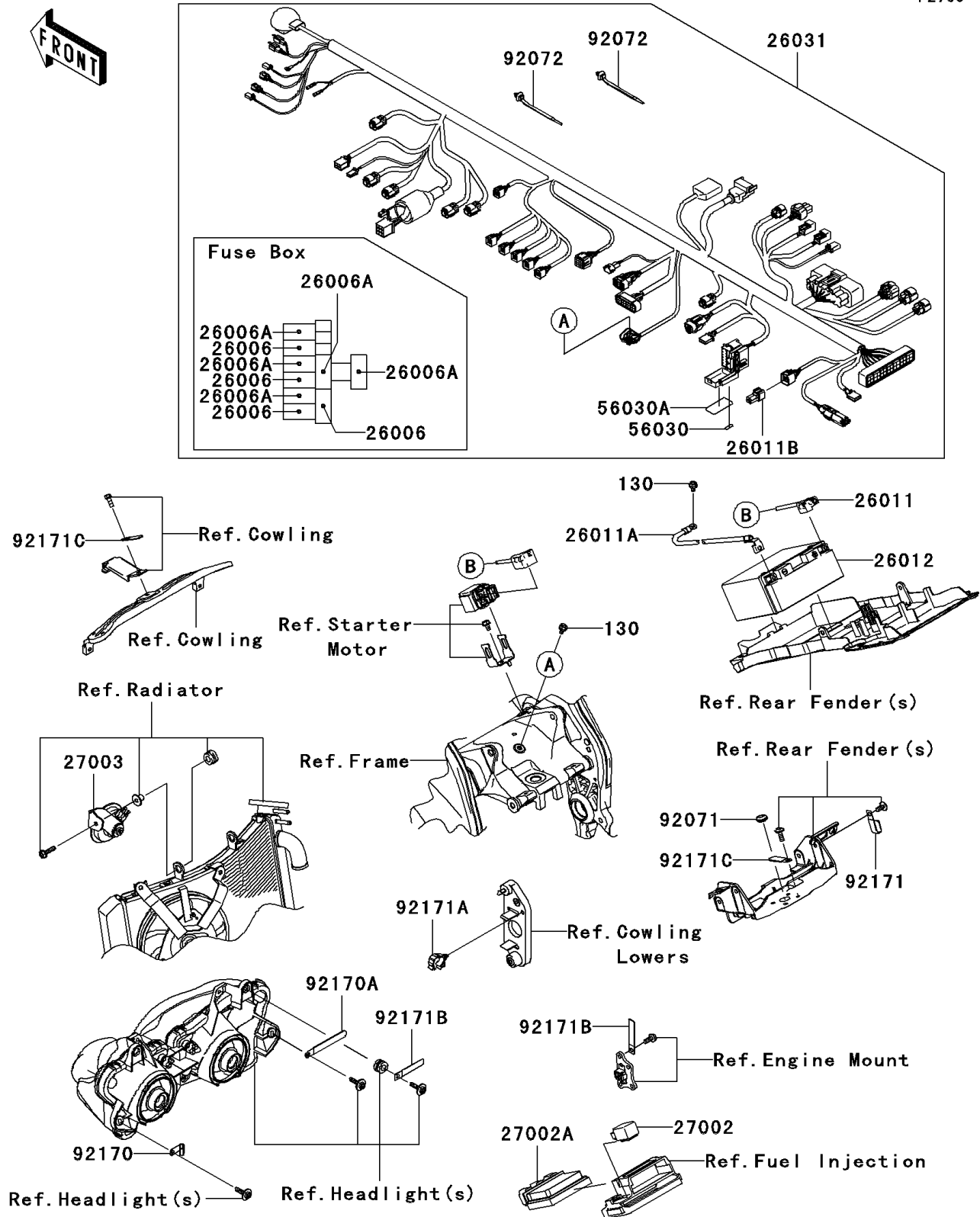


2010 NINJA® ZX™-10R PARTS DIAGRAM

Chassis Electrical Equipment

F2760



2010 NINJA® ZX™-10R PARTS LIST

Chassis Electrical Equipment

ITEM NAME	PART NUMBER	QUANTITY
BOLT-FLANGED,6X10 (Ref # 130)	130BA0610	1
FUSE,15A (Ref # 26006)	26006-0001	1
FUSE,10A (Ref # 26006A)	26006-1078	1
WIRE-LEAD,BATTERY(+) (Ref # 26011)	26011-0167	1
WIRE-LEAD,BATTERY(-) (Ref # 26011A)	26011-0168	1
WIRE-LEAD,CAP (Ref # 26011B)	26011-0271	1
BATTERY,YT12B-BS,12V 10AH (Ref # 26012)	26012-0036	1
HARNESS,MAIN (Ref # 26031)	26031-0830	1
RELAY-ASSY,SIGNAL LAMP (Ref # 27002)	27002-0006	1
RELAY-ASSY (Ref # 27002A)	27002-0007	1
HORN (Ref # 27003)	27003-0052	1
LABEL,FUSE BOX (Ref # 56030)	56030-0139	1
LABEL,FUSE BOX (Ref # 56030A)	56030-0185	1
GROMMET,10MM (Ref # 92071)	92071-019	1
BAND (Ref # 92072)	92072-1414	1
CLAMP,HARNESS (Ref # 92170)	92170-1900	1
CLAMP (Ref # 92170A)	92170-1925	1
CLAMP (Ref # 92171)	92171-0305	1
CLAMP,BRAKE HOSE (Ref # 92171A)	92171-0316	1
CLAMP (Ref # 92171B)	92171-0652	1
CLAMP (Ref # 92171C)	92171-0779	1