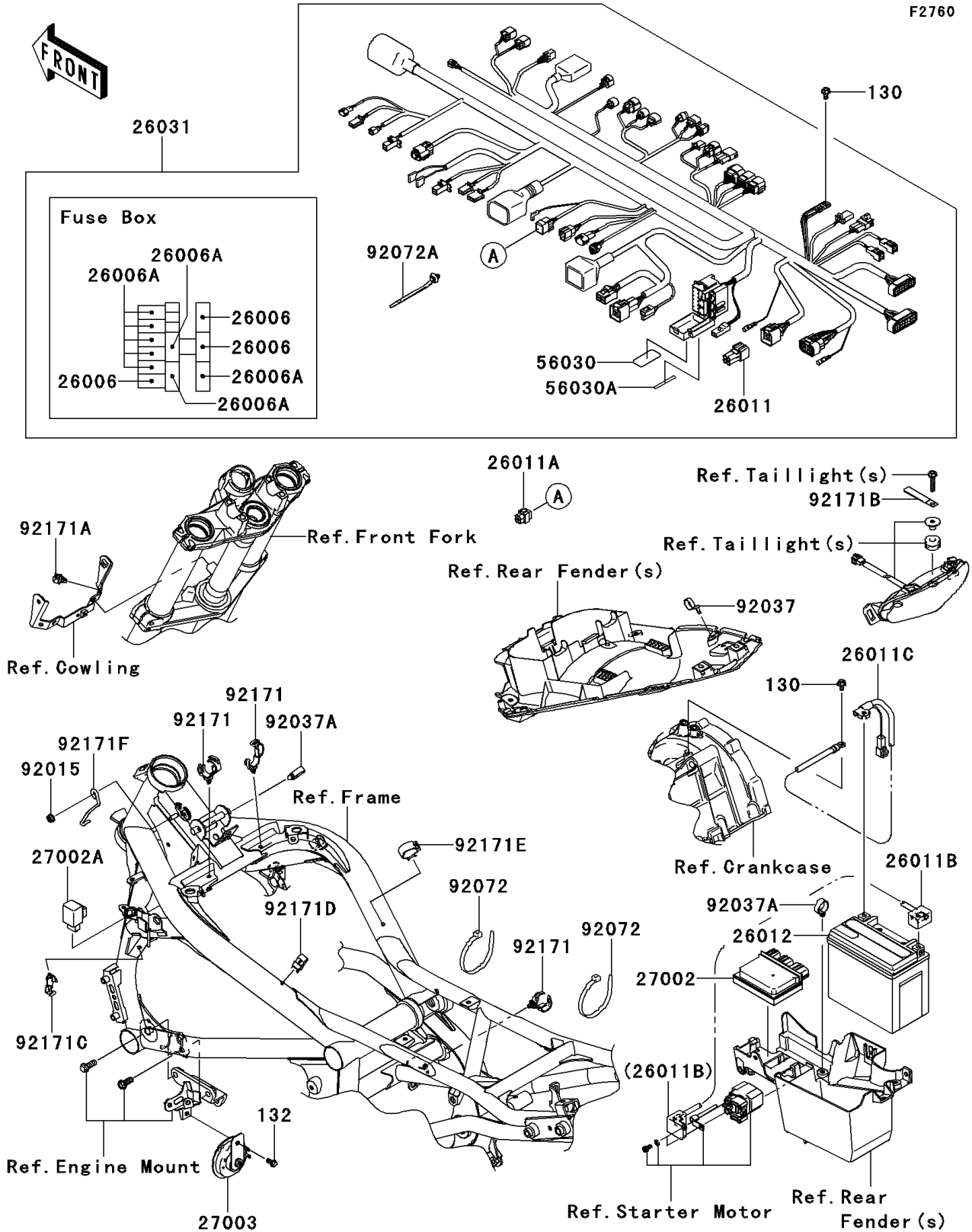


2009 ER-6n PARTS DIAGRAM

Chassis Electrical Equipment



2009 ER-6n PARTS LIST

Chassis Electrical Equipment

ITEM NAME	PART NUMBER	QUANTITY
BOLT-FLANGED,6X12 (Ref # 130)	130BA0612	1
BOLT-FLANGED-SMALL,6X12 (Ref # 132)	132BB0612	1
FUSE,15A (Ref # 26006)	26006-0001	1
FUSE,10A (Ref # 26006A)	26006-1078	1
WIRE-LEAD (Ref # 26011)	26011-0082	1
WIRE-LEAD,SENSOR CONNECTOR (Ref # 26011A)	26011-0101	1
WIRE-LEAD,BATTERY(+) (Ref # 26011B)	26011-0247	1
WIRE-LEAD,BATTERY(-) (Ref # 26011C)	26011-0250	1
BATTERY,FTX12-BS,12V 10AH (Ref # 26012)	26012-0109	1
HARNESS,MAIN (Ref # 26031)	26031-0670	1
RELAY-ASSY (Ref # 27002)	27002-0007	1
RELAY-ASSY,SIGNAL LAMP (Ref # 27002A)	27002-1097	1
HORN (Ref # 27003)	27003-0056	1
LABEL,FUSE BOX (Ref # 56030)	56030-0046	1
LABEL,FUSE BOX (Ref # 56030A)	56030-0098	1
NUT,FLANGED,6MM,BLACK (Ref # 92015)	92015-1233	1
CLAMP,SPEED,L=58 (Ref # 92037)	92037-1163	1
CLAMP,HOSE (Ref # 92037A)	92037-1827	1
BAND,L=365 (Ref # 92072)	92072-1197	1
BAND (Ref # 92072A)	92072-1414	1
CLAMP,DIA=20 (Ref # 92171)	92171-0069	1
CLAMP (Ref # 92171A)	92171-0640	1
CLAMP (Ref # 92171B)	92171-0652	1
CLAMP,DIA=13 (Ref # 92171C)	92171-1415	1
CLAMP,DIA=15 (Ref # 92171D)	92171-1424	1
CLAMP,DIA=25 (Ref # 92171E)	92171-1559	1
CLAMP (Ref # 92171F)	92171-1897	1