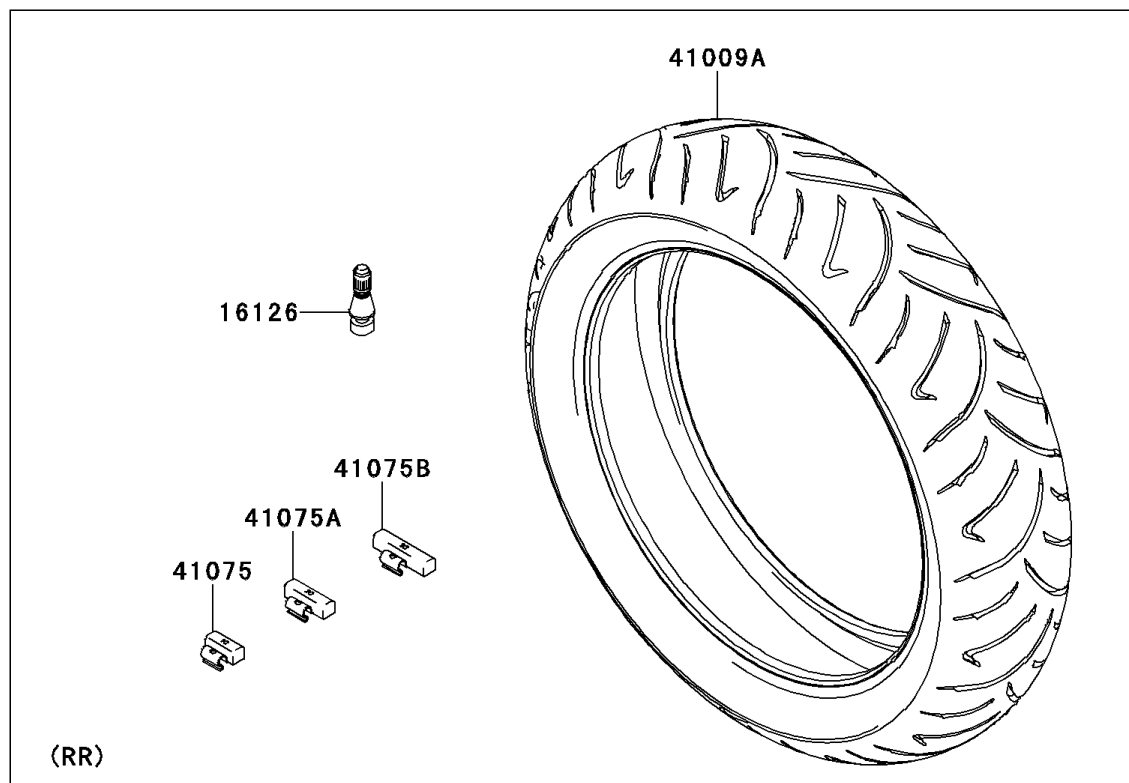
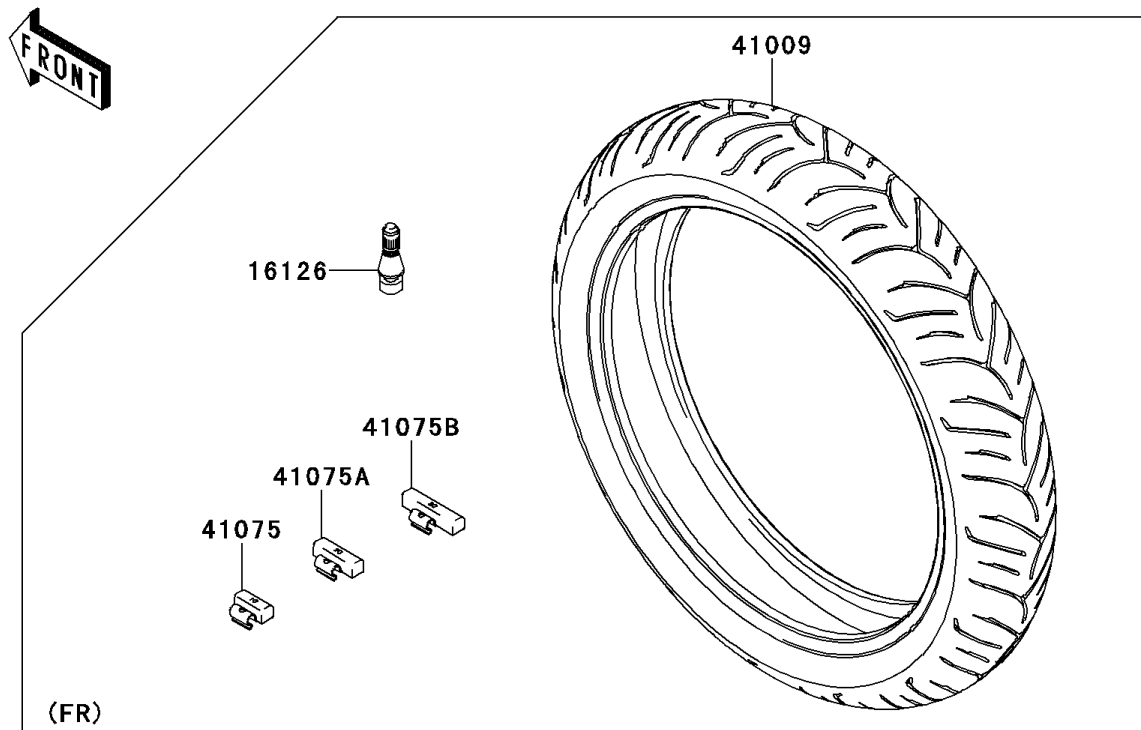


## 2009 ER-6n PARTS DIAGRAM

Tires

F2210



## 2009 ER-6n PARTS LIST

Tires

| ITEM NAME                                     | PART NUMBER | QUANTITY |
|---|-------------|----------|
| VALVE,TIRE (Ref # 16126)                      | 16126-1140  | 1        |
| TIRE,FR,120/70ZR17(58W),R.S. G (Ref # 41009)  | 41009-0190  | 1        |
| TIRE,RR,160/60ZR17(69W),R.S. G (Ref # 41009A) | 41009-0191  | 1        |
| BALANCER-WHEEL,10G,SILVER (Ref # 41075)       | 41075-0007  | 1        |
| BALANCER-WHEEL,20G,SILVER (Ref # 41075A)      | 41075-0008  | 1        |
| BALANCER-WHEEL,30G,SILVER (Ref # 41075B)      | 41075-0009  | 1        |