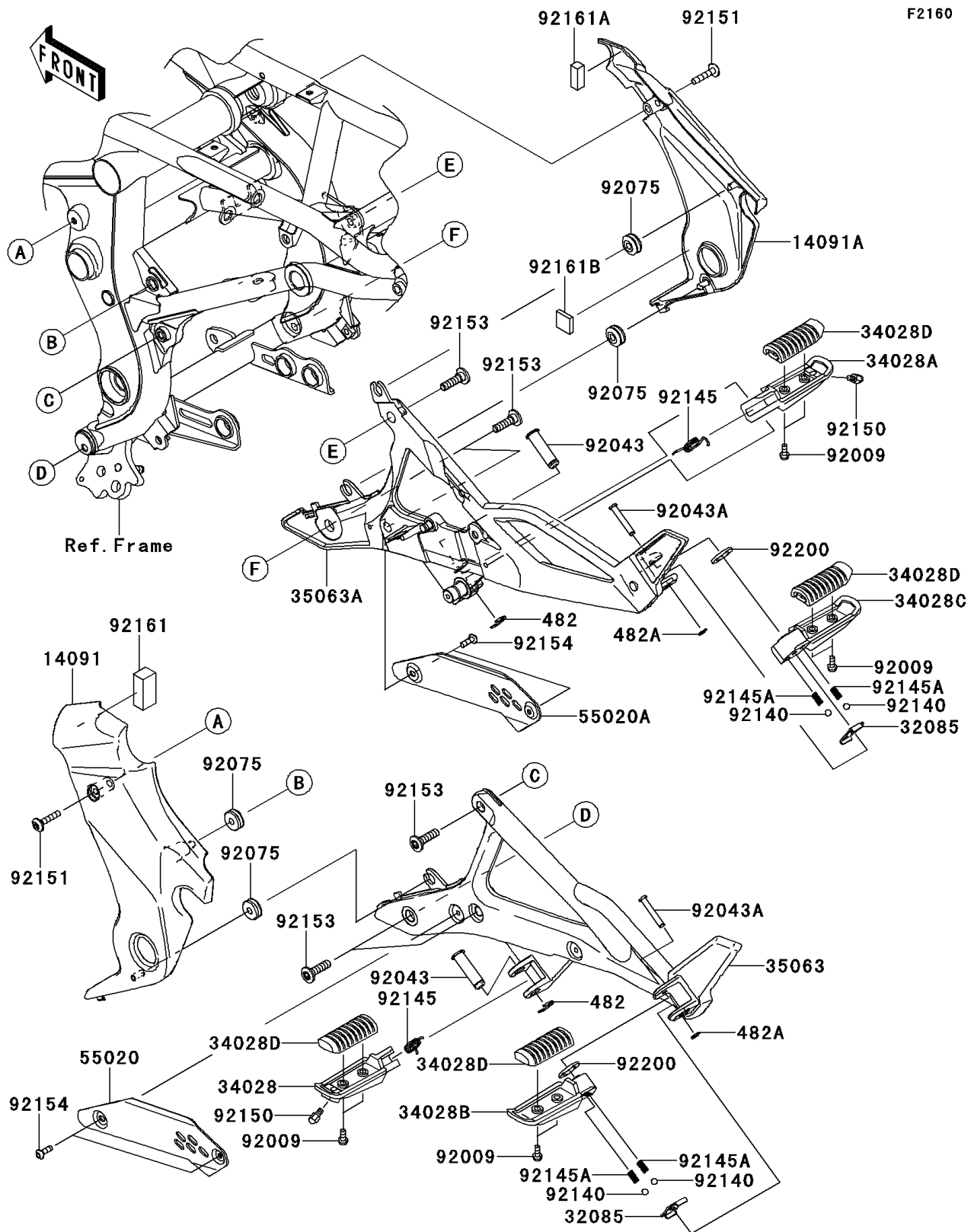


2009 ER-6n PARTS DIAGRAM

Footrests

F2160



2009 ER-6n PARTS LIST

Footrests

ITEM NAME	PART NUMBER	QUANTITY
CIRCLIP-TYPE-E,10MM (Ref # 482)	482EA0100	1
CIRCLIP-TYPE-E (Ref # 482A)	482EA5000	1
COVER,PIVOT,LH (Ref # 14091)	14091-1584	1
COVER,PIVOT,RH (Ref # 14091A)	14091-1585	1
STOPPER,REAR STEP (Ref # 32085)	32085-0047	1
STEP,FR,LH (Ref # 34028)	34028-0127	1
STEP,FR,RH (Ref # 34028A)	34028-0128	1
STEP,RR,LH (Ref # 34028B)	34028-0129	1
STEP,RR,RH (Ref # 34028C)	34028-0130	1
STEP,FR,RUBBER (Ref # 34028D)	34028-1430	1
STAY,STEP,LH,F.S.BLACK (Ref # 35063)	35063-0522-18R	1
STAY,STEP,RH,F.S.BLACK (Ref # 35063A)	35063-0523-18R	1
GUARD,STEP,LH (Ref # 55020)	55020-0461	1
GUARD,STEP,RH (Ref # 55020A)	55020-0462	1
SCREW,5X14 (Ref # 92009)	92009-1404	1
PIN,12X42.5 (Ref # 92043)	92043-0026	1
PIN,6X40 (Ref # 92043A)	92043-1595	1
DAMPER (Ref # 92075)	92075-1067	1
BALL,6.35MM (Ref # 92140)	92140-0008	1
SPRING,STEP RETURN (Ref # 92145)	92145-0723	1
SPRING (Ref # 92145A)	92145-1319	1
BOLT,BANK SENSOR (Ref # 92150)	92150-1114	1
BOLT,SOCKET,6X30 (Ref # 92151)	92151-1605	1
BOLT,SOCKET,8X30 (Ref # 92153)	92153-1630	1
BOLT,SOCKET,5X16 (Ref # 92154)	92154-0182	1
DAMPER,19X15X40 (Ref # 92161)	92161-0670	1
DAMPER,10X10X28 (Ref # 92161A)	92161-0671	1
DAMPER,UPP CNT COWLING (Ref # 92161B)	92161-0731	1
WASHER,16X26X2.3 (Ref # 92200)	92200-0043	1