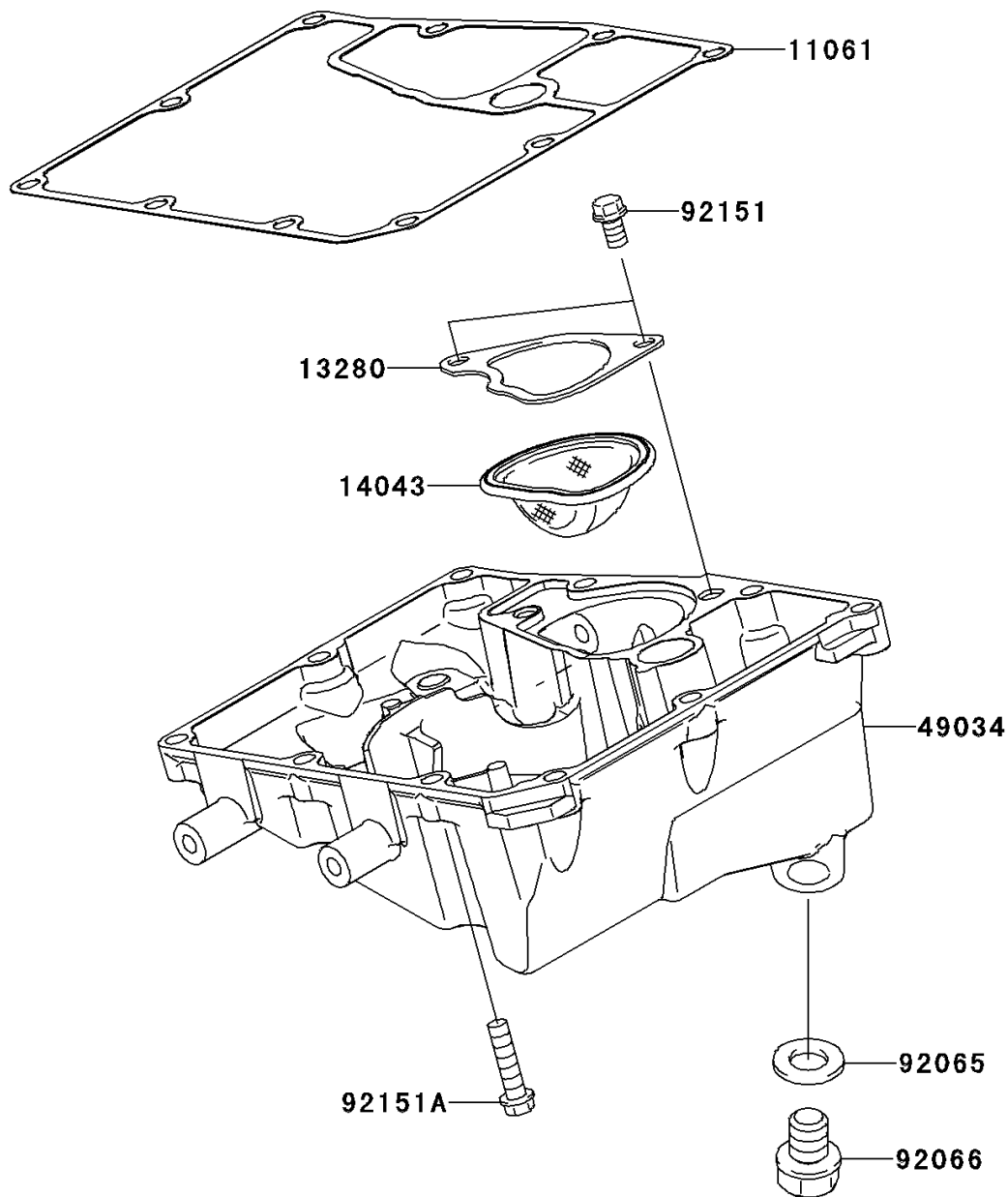


2009 ER-6n PARTS DIAGRAM

Oil Pan

E1434



2009 ER-6n PARTS LIST

Oil Pan

ITEM NAME	PART NUMBER	QUANTITY
GASKET,OIL PAN (Ref # 11061)	11061-0167	1
HOLDER,OIL FILTER (Ref # 13280)	13280-0134	1
FILTER,OIL(SCAVENGE) (Ref # 14043)	14043-0008	1
PAN-OIL (Ref # 49034)	49034-0030	1
GASKET,12X22X2 (Ref # 92065)	92065-097	1
PLUG,OIL DRAIN,12X15 (Ref # 92066)	92066-1174	1
BOLT,FLANGED-SMALL,6X10 (Ref # 92151)	92151-1389	1
BOLT,FLANGED-SMALL,6X25 (Ref # 92151A)	92151-1930	1