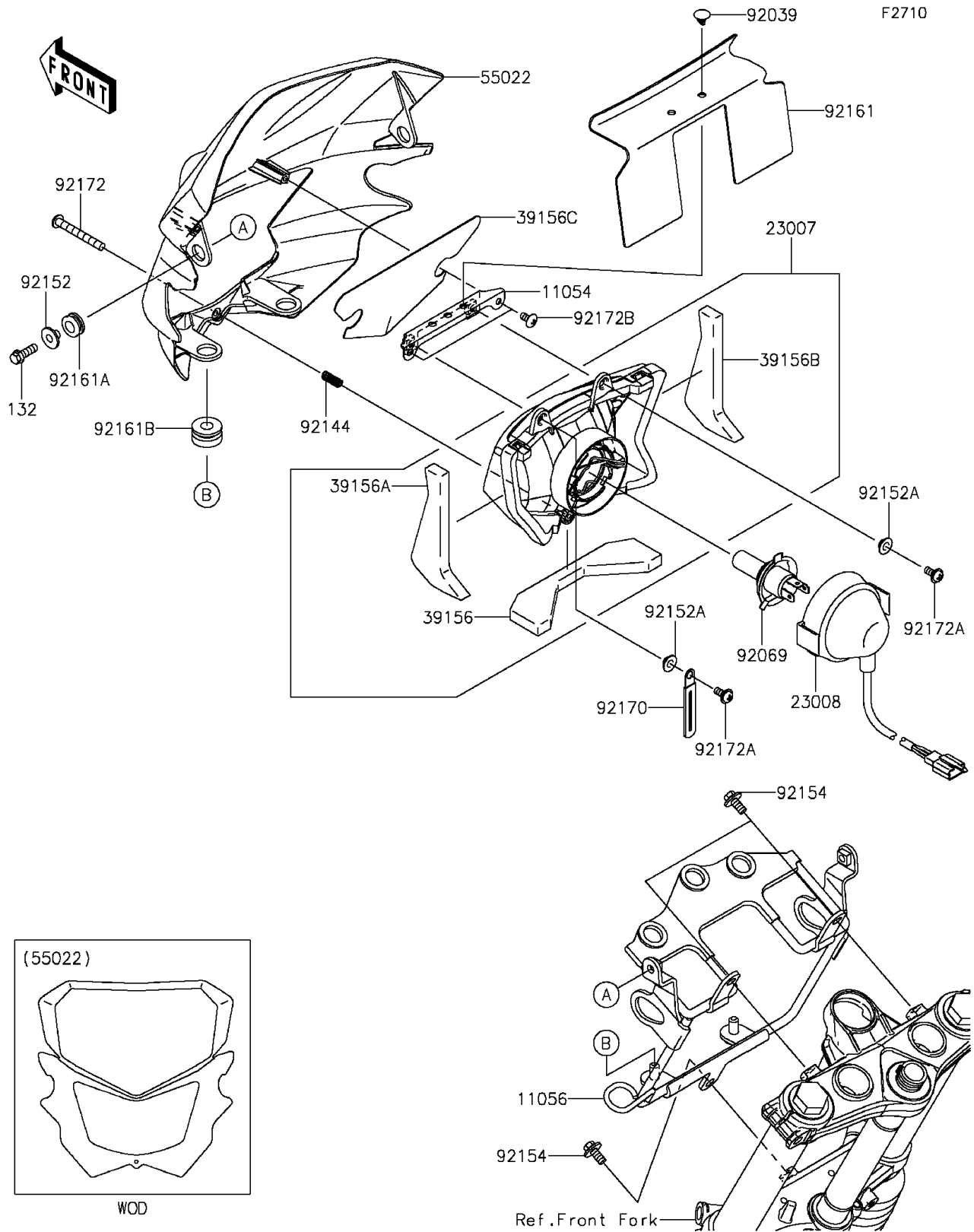


## 2014 KLX® 150L PARTS DIAGRAM

Headlight(s)



## 2014 KLX® 150L PARTS LIST

Headlight(s)

ITEM NAME	PART NUMBER	QUANTITY
BOLT-FLANGED-SMALL,6X18 (Ref # 132)	132BC0618	1
BRACKET,HEAD LAMP (Ref # 11054)	11054-1069	1
BRACKET,HEAD LAMP (Ref # 11056)	11056-2355	1
LENS-COMP,HEAD LAMP (Ref # 23007)	23007-0153	1
SOCKET-ASSY,HEAD LAMP (Ref # 23008)	23008-0089	1
PAD,HEAD LAMP,LWR (Ref # 39156)	39156-0583	1
PAD,HEAD LAMP,LH (Ref # 39156A)	39156-0598	1
PAD,HEAD LAMP,RH (Ref # 39156B)	39156-0599	1
PAD (Ref # 39156C)	39156-0673	1
COVER-HEAD LAMP,EBONY (Ref # 55022)	55022-0059-6C	1
RIVET,ANCHOR CLIP (Ref # 92039)	92039-0093	1
BULB,12V 35/35W (Ref # 92069)	92069-0016	1
SPRING (Ref # 92144)	92144-2266	1
COLLAR (Ref # 92152)	92152-0295	1
COLLAR (Ref # 92152A)	92152-0936	1
BOLT,FLANGED,6X14 (Ref # 92154)	92154-1231	1
DAMPER (Ref # 92161)	92161-0818	1
DAMPER,10X18X7.5 (Ref # 92161A)	92161-1535	1
DAMPER,7.5X22X11 (Ref # 92161B)	92161-1536	1
CLAMP (Ref # 92170)	92170-1514	1
SCREW (Ref # 92172)	92172-0495	1
SCREW,5X12 (Ref # 92172A)	92172-0498	1
SCREW,TAPPING,5X10 (Ref # 92172B)	92172-0833	1