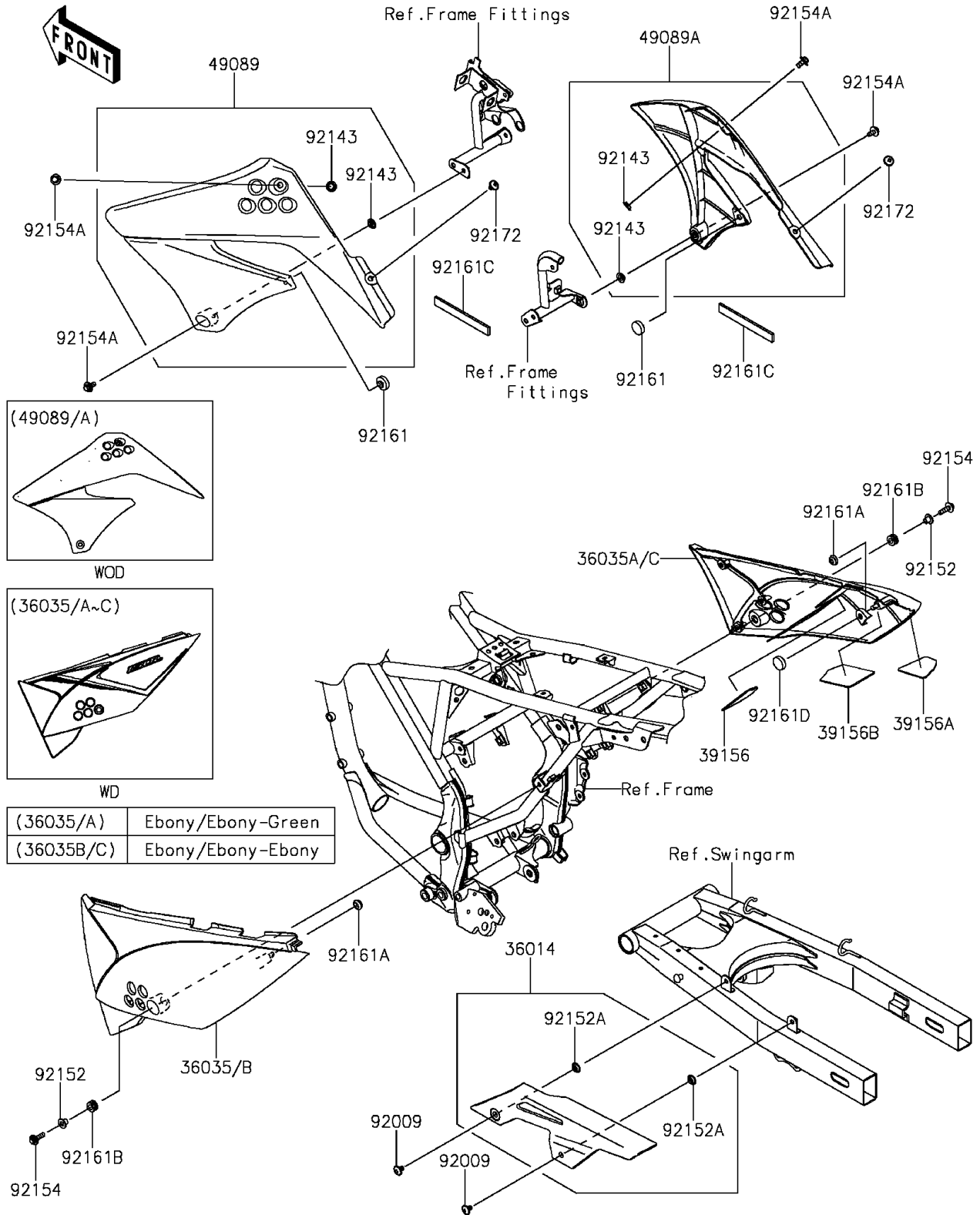


## 2014 KLX® 150L PARTS DIAGRAM

Side Covers/Chain Cover

F2610



## 2014 KLX® 150L PARTS LIST

Side Covers/Chain Cover

ITEM NAME	PART NUMBER	QUANTITY
CASE-CHAIN (Ref # 36014)	36014-0560	1
COVER-SIDE,LH,UP EBO+LO EBO (Ref # 36035)	36035-5165-27V	1
COVER-SIDE,RH,UP EBO+LO EBO (Ref # 36035A)	36035-5166-27V	1
COVER-SIDE,LH,UP EBO+LO EBO (Ref # 36035B)	36035-5167-27V	1
COVER-SIDE,RH,UP EBO+LO EBO (Ref # 36035C)	36035-5168-27V	1
PAD,62.5X102 (Ref # 39156)	39156-1805	1
PAD,58X78 (Ref # 39156A)	39156-1806	1
PAD,58.5X91 (Ref # 39156B)	39156-1807	1
SHROUD-ENGINE,LH,EBONY (Ref # 49089)	49089-0084-6C	1
SHROUD-ENGINE,RH,EBONY (Ref # 49089A)	49089-0085-6C	1
SCREW,6X10 (Ref # 92009)	92009-1729	1
COLLAR (Ref # 92143)	92143-1196	1
COLLAR,6.3X8.3X9.2 (Ref # 92152)	92152-1725	1
COLLAR,8.8X16X4 (Ref # 92152A)	92152-1731	1
BOLT,FLANGED,6X22 (Ref # 92154)	92154-1184	1
BOLT,FLANGED,6X14 (Ref # 92154A)	92154-1231	1
DAMPER (Ref # 92161)	92161-0336	1
DAMPER (Ref # 92161A)	92161-0631	1
DAMPER (Ref # 92161B)	92161-0685	1
DAMPER,4X15X120 (Ref # 92161C)	92161-0810	1
DAMPER,MUFFLER (Ref # 92161D)	92161-1284	1
SCREW,6X10 (Ref # 92172)	92172-0098	1