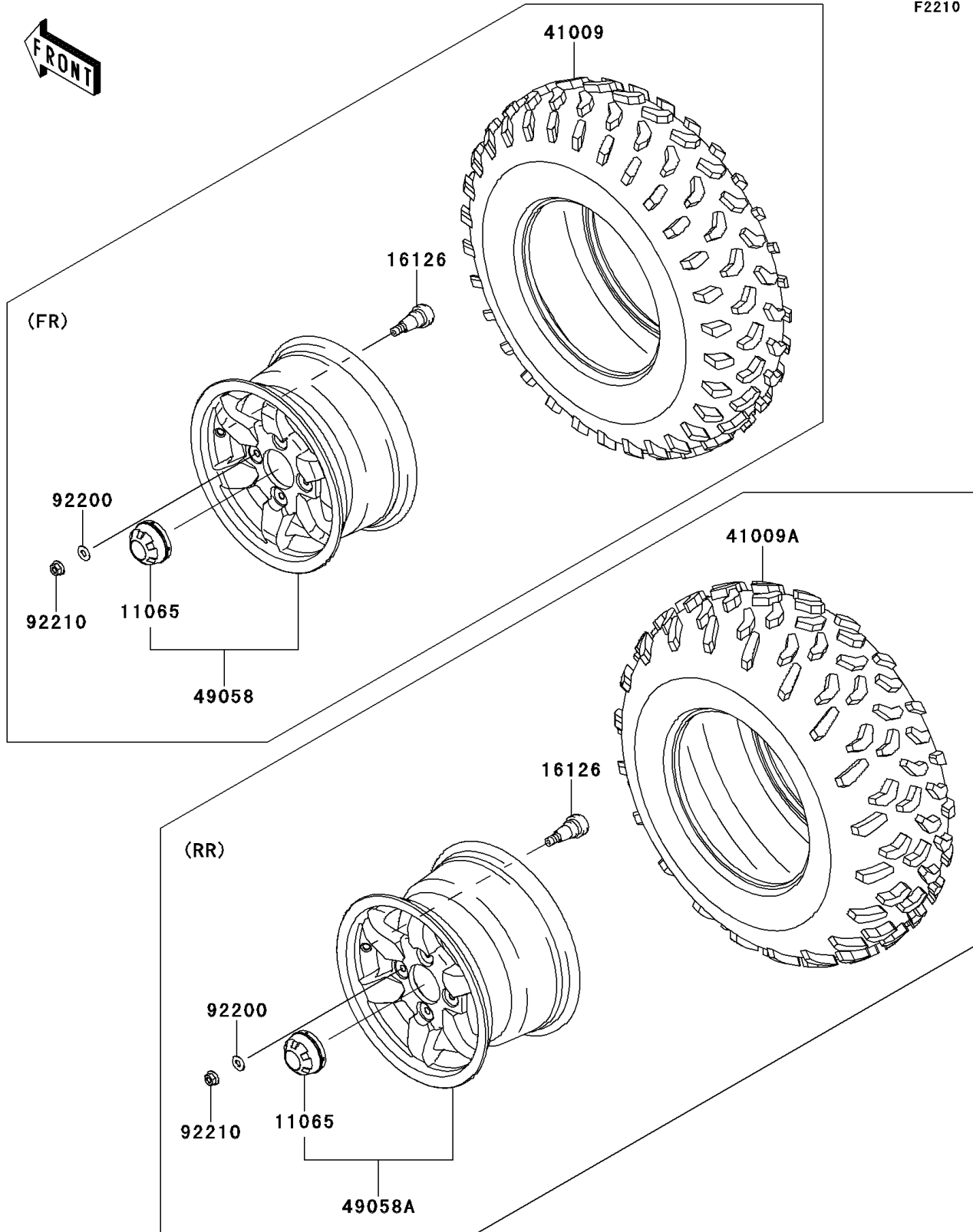


2012 Brute Force® 750 4x4i EPS PARTS DIAGRAM

Wheels/Tires

F2210



2012 Brute Force® 750 4x4i EPS PARTS LIST

Wheels/Tires

| ITEM NAME | PART NUMBER | QUANTITY |
|--|----------------|----------|
| CAP,WHEEL,F.S.BLACK (Ref # 11065) | 11065-0321-397 | 1 |
| VALVE (Ref # 16126) | 16126-4001 | 1 |
| TIRE,FR,AT25X8-12 (Ref # 41009) | 41009-0299 | 1 |
| TIRE,RR,AT25X10-12 (Ref # 41009A) | 41009-0300 | 1 |
| WHEEL,FR,12X6.0AT,F.S.BLACK (Ref # 49058) | 49058-0120-397 | 1 |
| WHEEL,RR,12X7.5AT,F.S.BLACK (Ref # 49058A) | 49058-0122-397 | 1 |
| WASHER,10.5X25X1.6 (Ref # 92200) | 92200-1595 | 1 |
| NUT,FLANGED,10MM (Ref # 92210) | 92210-1325 | 1 |