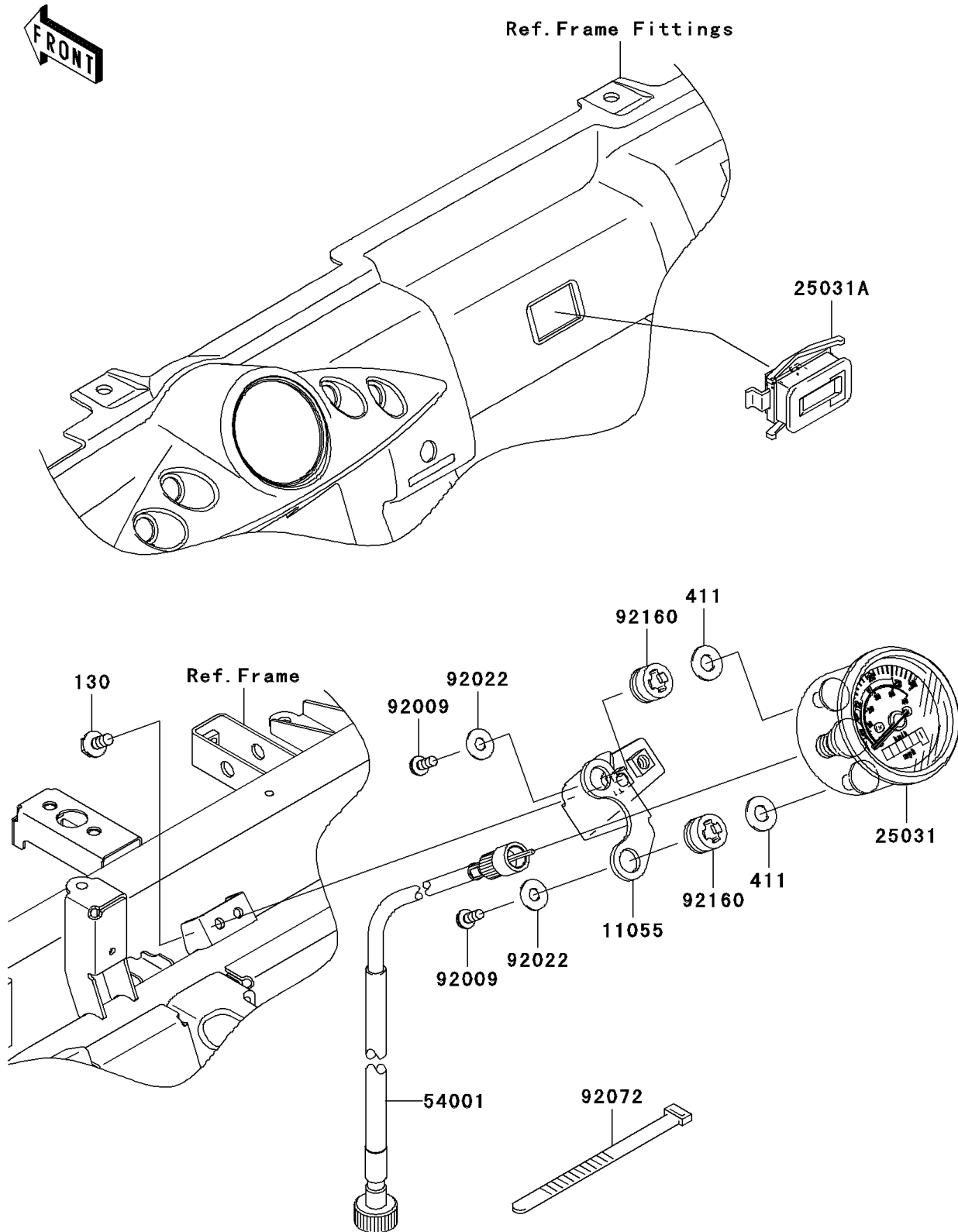


2010 MULE™ 4010 Trans4x4® Diesel Realtree APG HD® PARTS DIAGRAM

Meter(s)

F2530



2010 MULE™ 4010 Trans4x4® Diesel Realtree APG HD® PARTS LIST

Meter(s)

| ITEM NAME | PART NUMBER | QUANTITY |
|---------------------------------|-------------|----------|
| BOLT-FLANGED,6X14 (Ref # 130) | 130BB0614 | 1 |
| WASHER-PLAIN (Ref # 411) | 411AA0800 | 1 |
| BRACKET,METER (Ref # 11055) | 11055-0677 | 1 |
| METER-ASSY,MPH (Ref # 25031) | 25031-1190 | 1 |
| METER-ASSY,HOUR (Ref # 25031A) | 25031-7506 | 1 |
| CABLE-SPEEDMETER (Ref # 54001) | 54001-7502 | 1 |
| SCREW,5X12 (Ref # 92009) | 92009-3740 | 1 |
| WASHER,6.5X16X1.0 (Ref # 92022) | 92022-1093 | 1 |
| BAND,L=188 (Ref # 92072) | 92072-1239 | 1 |
| DAMPER (Ref # 92160) | 92160-1461 | 1 |