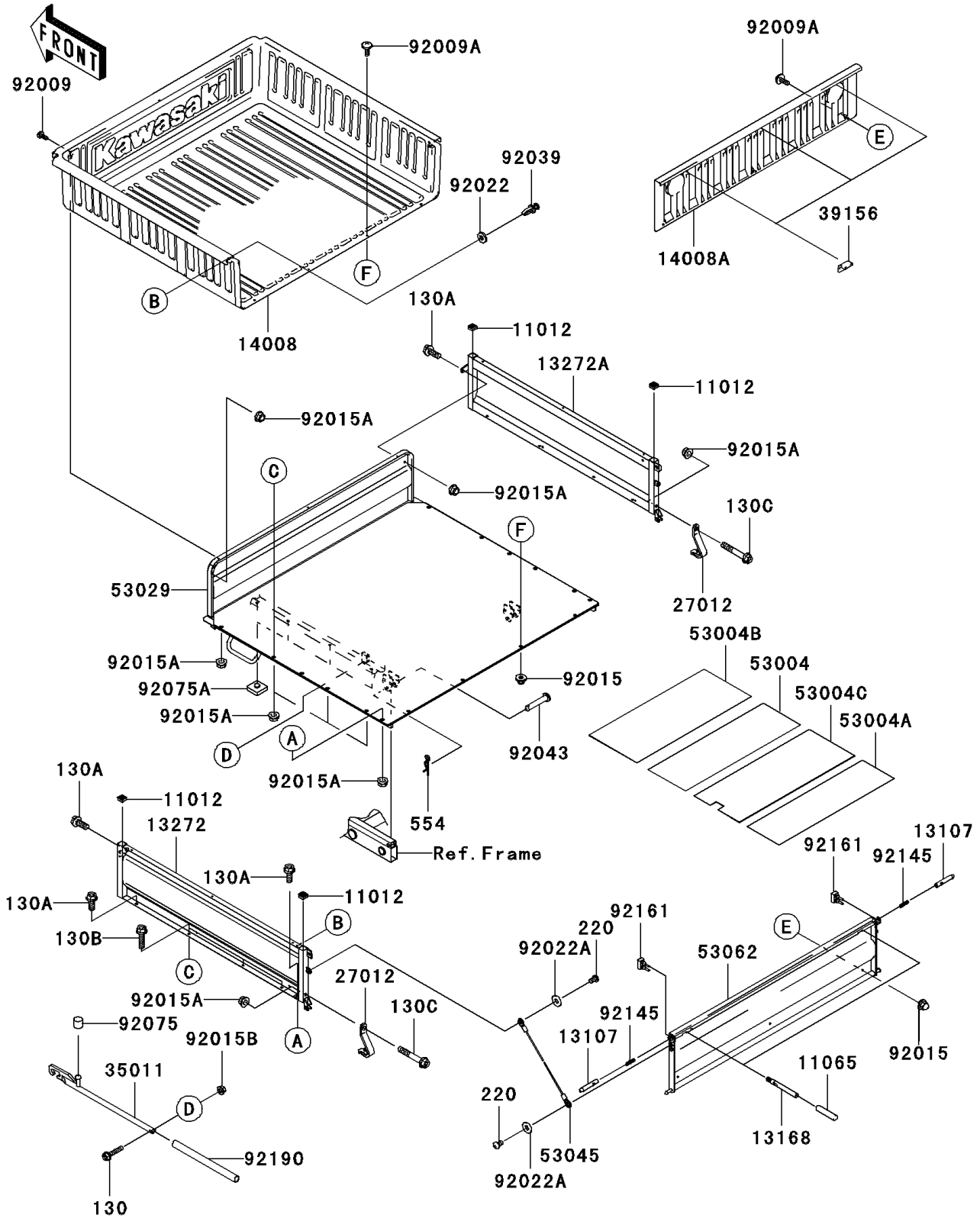


2009 MULE™ 4010 4x4 Hardwoods Green HD® PARTS DIAGRAM

Carrier(s)

F2520



2009 MULE™ 4010 4x4 Hardwoods Green HD® PARTS LIST

Carrier(s)

ITEM NAME	PART NUMBER	QUANTITY
BOLT-FLANGED,6X30 (Ref # 130)	130BA0630	1
BOLT-FLANGED,8X20 (Ref # 130A)	130BB0820	1
BOLT-FLANGED,8X30 (Ref # 130B)	130BB0830	1
BOLT-FLANGED,8X50 (Ref # 130C)	130BB0850	1
SCREW-PAN-CROSS,6X10 (Ref # 220)	220AB0610	1
PIN-SNAP,12MM (Ref # 554)	554DA1200	1
CAP (Ref # 11012)	11012-1784	1
CAP (Ref # 11065)	11065-0126	1
SHAFT (Ref # 13107)	13107-0082	1
LEVER (Ref # 13168)	13168-0090	1
PLATE,SIDE,LH,C.H.GREEN (Ref # 13272)	13272-0565-826	1
PLATE,SIDE,RH,C.H.GREEN (Ref # 13272A)	13272-0566-826	1
LINER,CARRIER BED (Ref # 14008)	14008-0005	1
LINER,TAIL GATE (Ref # 14008A)	14008-0006	1
HOOK,TAIL GATE (Ref # 27012)	27012-0022	1
STAY,CARRIER STOPPER (Ref # 35011)	35011-1648	1
PAD,TAIL GATE (Ref # 39156)	39156-0042	1
MAT,CARRIER (Ref # 53004)	53004-0031	1
MAT,CARRIER (Ref # 53004A)	53004-0032	1
MAT,CARRIER (Ref # 53004B)	53004-0034	1
MAT (Ref # 53004C)	53004-1159	1
CARRIER,BASE PLATE,BLACK (Ref # 53029)	53029-0063-10	1
HOOK-ASSY,TAIL GATE (Ref # 53045)	53045-0004	1
GATE-TAIL,C.H.GREEN (Ref # 53062)	53062-0002-826	1
SCREW,6X12 (Ref # 92009)	92009-1480	1
SCREW,6X14 (Ref # 92009A)	92009-1662	1
NUT,LOCK 6MM (Ref # 92015)	92015-1262	1
NUT,FLANGED,8MM (Ref # 92015A)	92015-1408	1
NUT,LOCK,FLANGED,6MM (Ref # 92015B)	92015-1675	1

2009 MULE™ 4010 4x4 Hardwoods Green HD® PARTS LIST

Carrier(s)

ITEM NAME	PART NUMBER	QUANTITY
WASHER,8.5X20X1.6,BLACK (Ref # 92022)	92022-1317	1
WASHER,7X18X1.2 (Ref # 92022A)	92022-1545	1
RIVET (Ref # 92039)	92039-1229	1
PIN,12X65 (Ref # 92043)	92043-1428	1
DAMPER (Ref # 92075)	92075-1817	1
DAMPER (Ref # 92075A)	92075-1882	1
SPRING,TENSIONER (Ref # 92145)	92145-1215	1
DAMPER (Ref # 92161)	92161-0258	1
TUBE,13X16X200 (Ref # 92190)	92190-1401	1