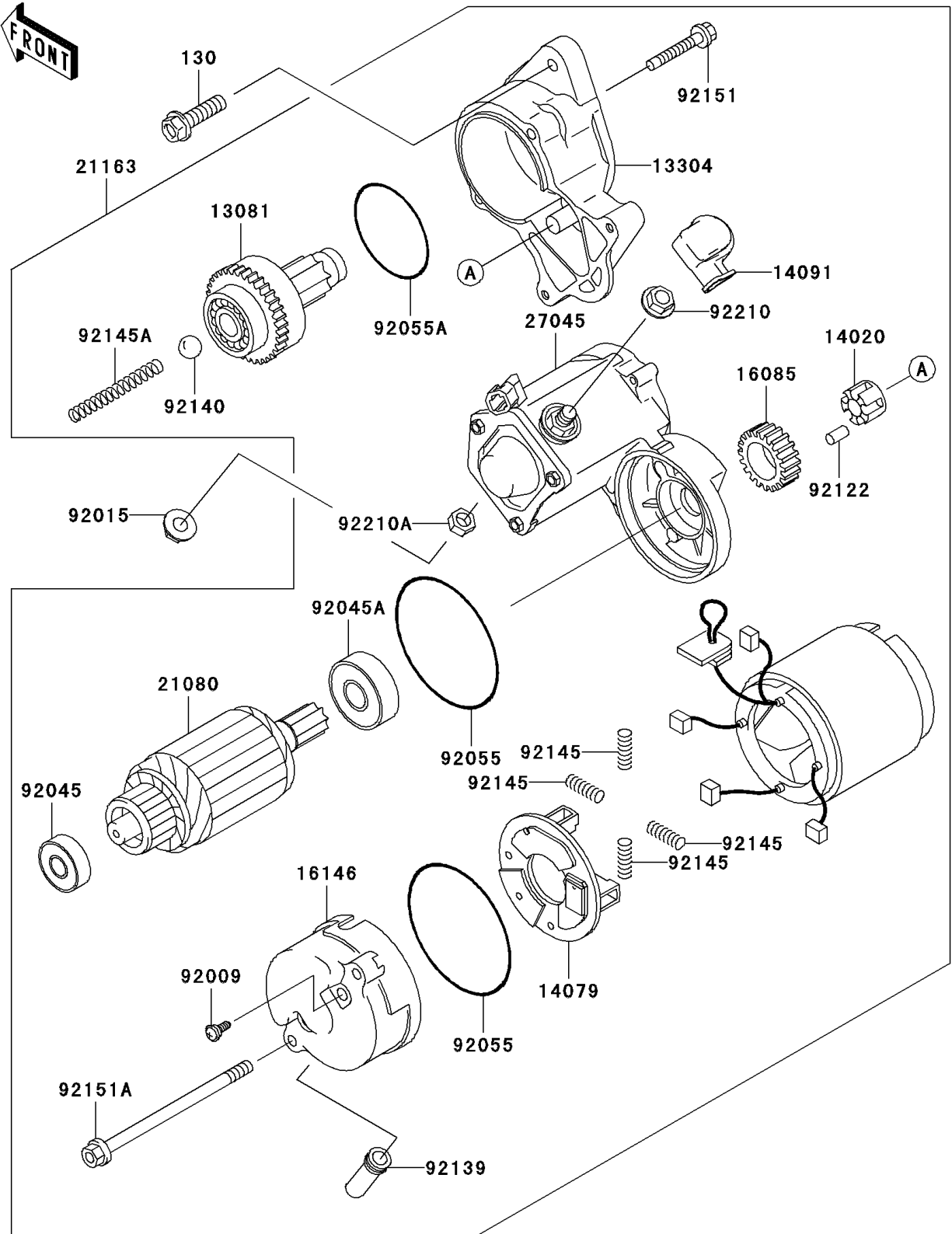


2009 MULE™ 4010 4x4 Hardwoods Green HD® PARTS DIAGRAM

Starter Motor-(FD620DE485832)

E1840



2009 MULE™ 4010 4x4 Hardwoods Green HD® PARTS LIST

Starter Motor(-FD620DE485832)

| ITEM NAME | PART NUMBER | QUANTITY |
|--------------------------------|-------------|----------|
| BOLT-FLANGED,8X30 (Ref # 130) | 130CA0830 | 1 |
| CLUTCH-ASSY (Ref # 13081) | 13081-2231 | 1 |
| HOUSING-ASSY (Ref # 13304) | 13304-2201 | 1 |
| RETAINER (Ref # 14020) | 14020-2112 | 1 |
| HOLDER-ASSY (Ref # 14079) | 14079-2064 | 1 |
| COVER (Ref # 14091) | 14091-2080 | 1 |
| GEAR (Ref # 16085) | 16085-2055 | 1 |
| COVER-ASSY (Ref # 16146) | 16146-2228 | 1 |
| ARMATURE (Ref # 21080) | 21080-2070 | 1 |
| STARTER-ELECTRIC (Ref # 21163) | 21163-2124 | 1 |
| SWITCH-ASSY (Ref # 27045) | 27045-2018 | 1 |
| SCREW (Ref # 92009) | 92009-2455 | 1 |
| NUT,8MM (Ref # 92015) | 92015-1143 | 1 |
| BEARING-BALL (Ref # 92045) | 92045-2257 | 1 |
| BEARING-BALL (Ref # 92045A) | 92045-2258 | 1 |
| RING-O (Ref # 92055) | 92055-2199 | 1 |
| RING-O (Ref # 92055A) | 92055-2200 | 1 |
| ROLLER (Ref # 92122) | 92122-2057 | 1 |
| BUSHING (Ref # 92139) | 92139-2051 | 1 |
| BALL (Ref # 92140) | 92140-2061 | 1 |
| SPRING (Ref # 92145) | 92145-2096 | 1 |
| SPRING (Ref # 92145A) | 92145-2097 | 1 |
| BOLT (Ref # 92151) | 92151-2167 | 1 |
| BOLT (Ref # 92151A) | 92151-2168 | 1 |
| NUT (Ref # 92210) | 92210-2084 | 1 |
| NUT (Ref # 92210A) | 92210-2085 | 1 |