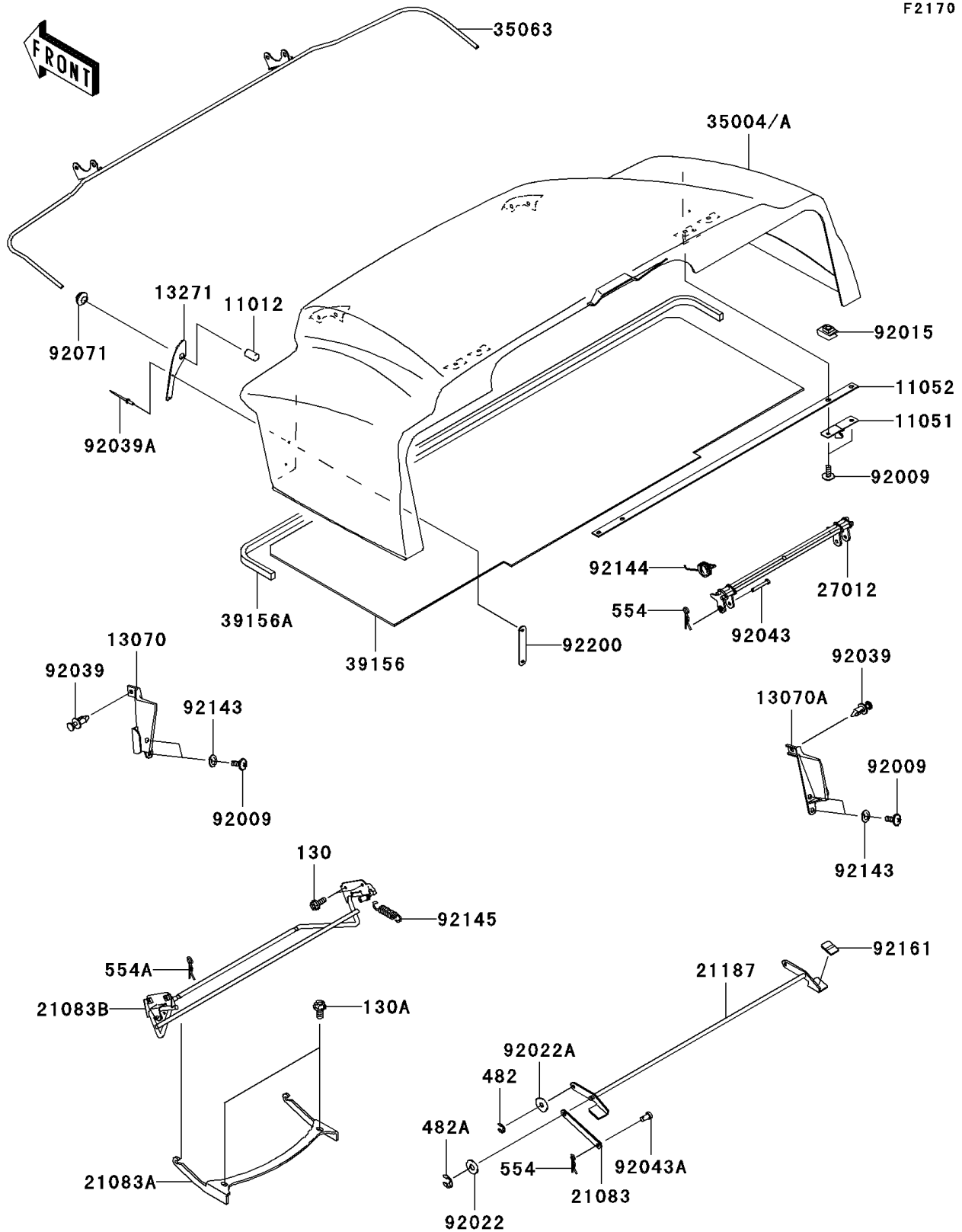


2008 MULE™ 3010 Trans4x4 Diesel PARTS DIAGRAM

Fenders

F2170



2008 MULE™ 3010 Trans4x4 Diesel PARTS LIST

Fenders

| ITEM NAME | PART NUMBER | QUANTITY |
|--|----------------|----------|
| BOLT-FLANGED,6X16 (Ref # 130) | 130J0616 | 1 |
| BOLT-FLANGED,8X16 (Ref # 130A) | 130J0816 | 1 |
| CIRCLIP-TYPE-E,5MM (Ref # 482) | 482L5000 | 1 |
| CIRCLIP-TYPE-E (Ref # 482A) | 482L7000 | 1 |
| PIN-SNAP (Ref # 554) | 554A0600 | 1 |
| PIN-SNAP,8MM (Ref # 554A) | 554A0800 | 1 |
| CAP (Ref # 11012) | 11012-1985 | 1 |
| BRACKET (Ref # 11051) | 11051-1756 | 1 |
| BRACKET (Ref # 11052) | 11052-1369 | 1 |
| GUIDE,LH (Ref # 13070) | 13070-1367 | 1 |
| GUIDE,RH (Ref # 13070A) | 13070-1368 | 1 |
| PLATE,RR (Ref # 13271) | 13271-1800 | 1 |
| ARM (Ref # 21083) | 21083-1146 | 1 |
| ARM (Ref # 21083A) | 21083-1163 | 1 |
| ARM (Ref # 21083B) | 21083-1172 | 1 |
| ARM-ASSY (Ref # 21187) | 21187-1085 | 1 |
| HOOK (Ref # 27012) | 27012-1608 | 1 |
| FENDER-FRONT,A.RED (Ref # 35004) | 35004-0007-260 | 1 |
| FENDER-FRONT,W.GREEN (Ref # 35004A) | 35004-0007-286 | 1 |
| STAY,FR FENDER (Ref # 35063) | 35063-1203 | 1 |
| PAD,FRONT FENDER (Ref # 39156) | 39156-0014 | 1 |
| PAD (Ref # 39156A) | 39156-1685 | 1 |
| SCREW,6X16 (Ref # 92009) | 92009-1621 | 1 |
| NUT,CLAMP,6MM (Ref # 92015) | 92015-1678 | 1 |
| WASHER,8.5X20X1.6,BLACK (Ref # 92022) | 92022-1317 | 1 |
| WASHER,6.5X20X1.6,BLACK (Ref # 92022A) | 92022-1346 | 1 |
| RIVET (Ref # 92039) | 92039-1229 | 1 |
| RIVET (Ref # 92039A) | 92039-1244 | 1 |
| PIN,6X39 (Ref # 92043) | 92043-1625 | 1 |

2008 MULE™ 3010 Trans4x4 Diesel PARTS LIST

Fenders

| ITEM NAME | PART NUMBER | QUANTITY |
|--------------------------------|-------------|----------|
| PIN,6X9 (Ref # 92043A) | 92043-1626 | 1 |
| GROMMET,10MM (Ref # 92071) | 92071-019 | 1 |
| COLLAR (Ref # 92143) | 92143-1087 | 1 |
| SPRING,SEAT HOOK (Ref # 92144) | 92144-1174 | 1 |
| SPRING (Ref # 92145) | 92145-1335 | 1 |
| DAMPER (Ref # 92161) | 92161-1197 | 1 |
| WASHER (Ref # 92200) | 92200-1592 | 1 |