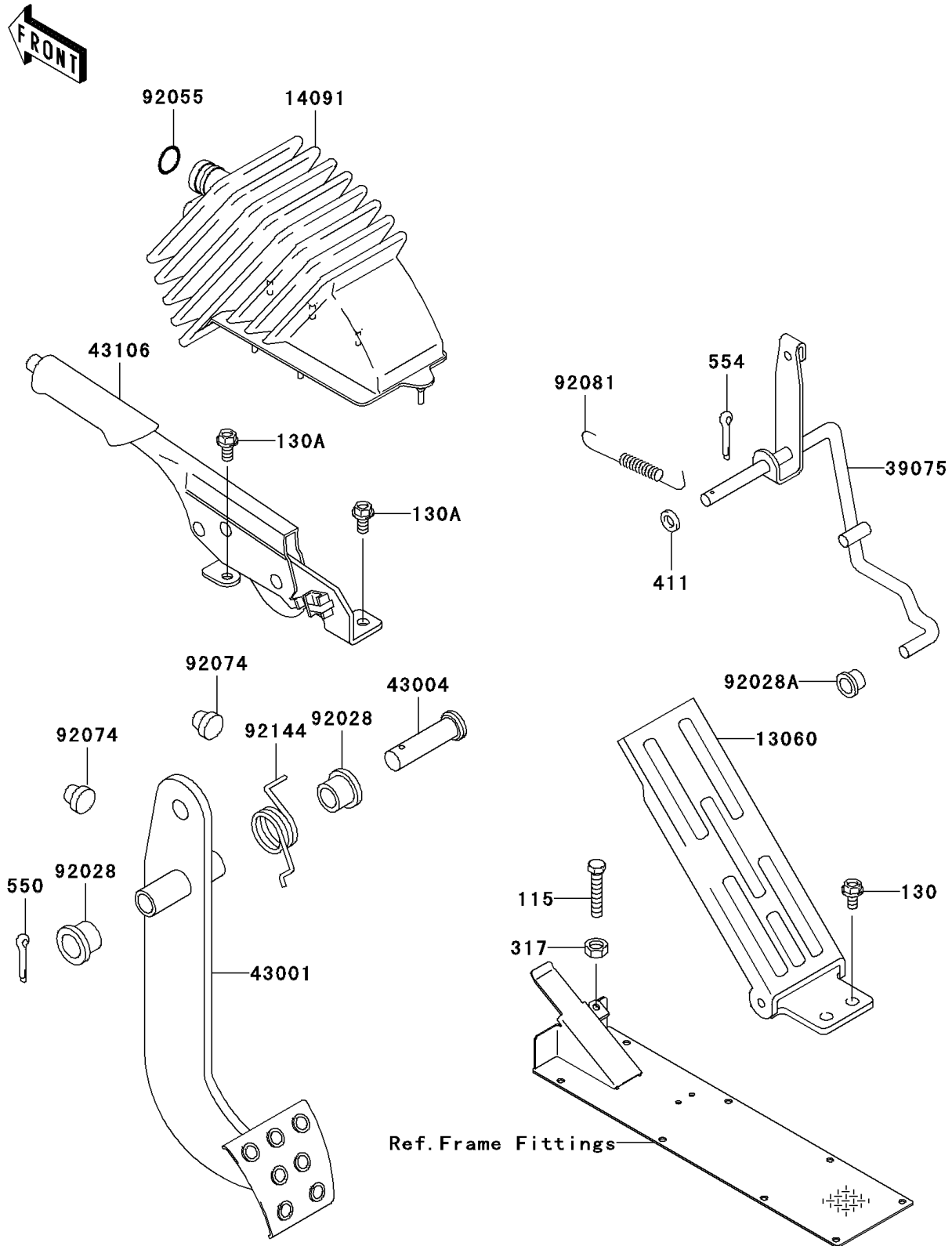


MULE™ 3010 Trans4x4 Diesel PARTS DIAGRAM

Brake Pedal/Throttle Lever

F2260



MULE™ 3010 Trans4x4 Diesel PARTS LIST

Brake Pedal/Throttle Lever

ITEM NAME	PART NUMBER	QUANTITY
-----------	-------------	----------