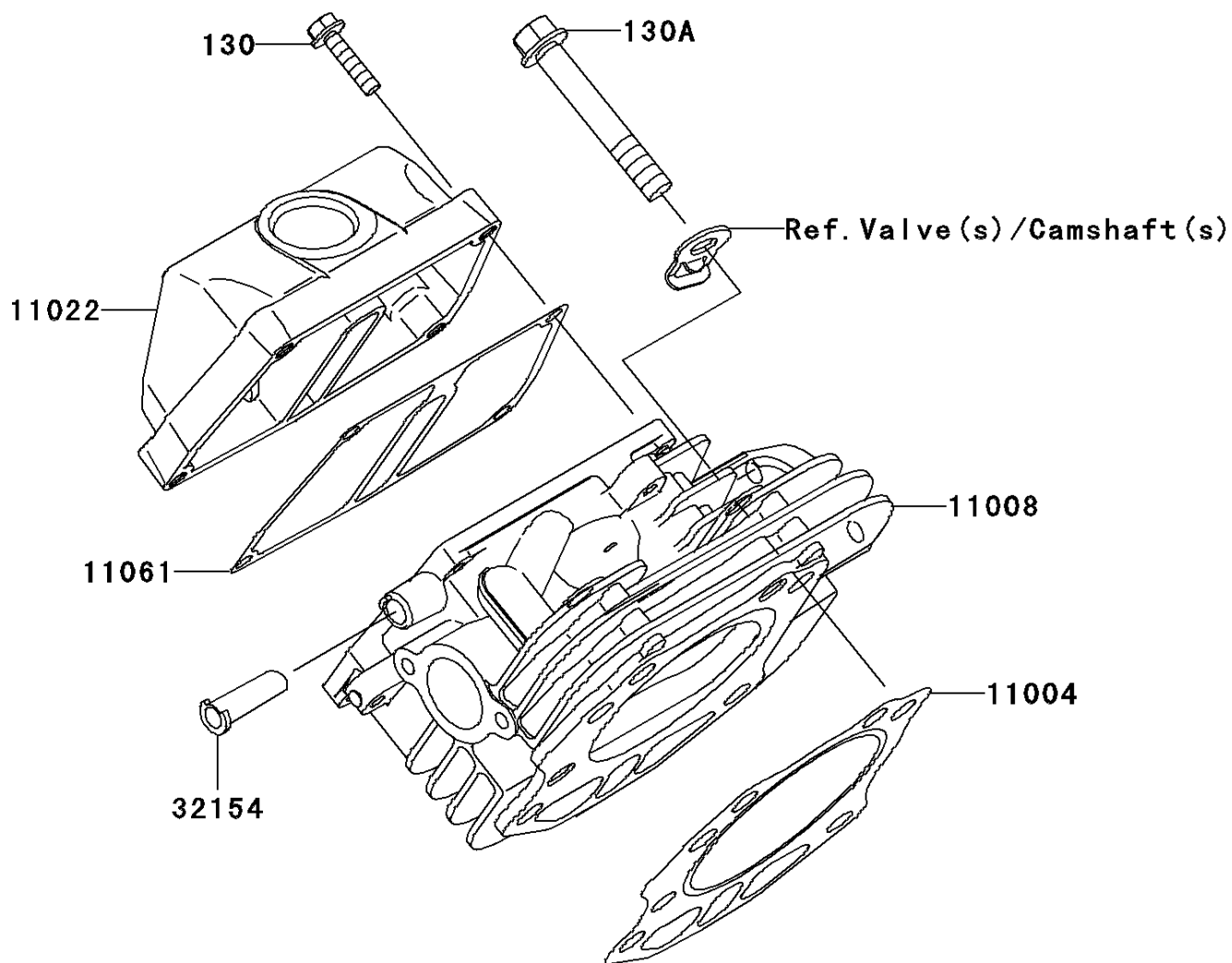


2006 Mule™ 610 4x4 Hardwoods Green HD® PARTS DIAGRAM

Cylinder Head

E1111



2006 Mule™ 610 4x4 Hardwoods Green HD® PARTS LIST

Cylinder Head

| ITEM NAME | PART NUMBER | QUANTITY |
|----------------------------------|-------------|----------|
| BOLT-FLANGED,6X25 (Ref # 130) | 130AA0625 | 1 |
| BOLT-FLANGED,10X65 (Ref # 130A) | 130CA1065 | 1 |
| GASKET-HEAD (Ref # 11004) | 11004-7017 | 1 |
| HEAD-COMP-CYLINDER (Ref # 11008) | 11008-2162 | 1 |
| CASE-ROCKER (Ref # 11022) | 11022-7014 | 1 |
| GASKET,CASE-ROCKER (Ref # 11061) | 11061-7041 | 1 |
| PIPE (Ref # 32154) | 32154-7008 | 1 |