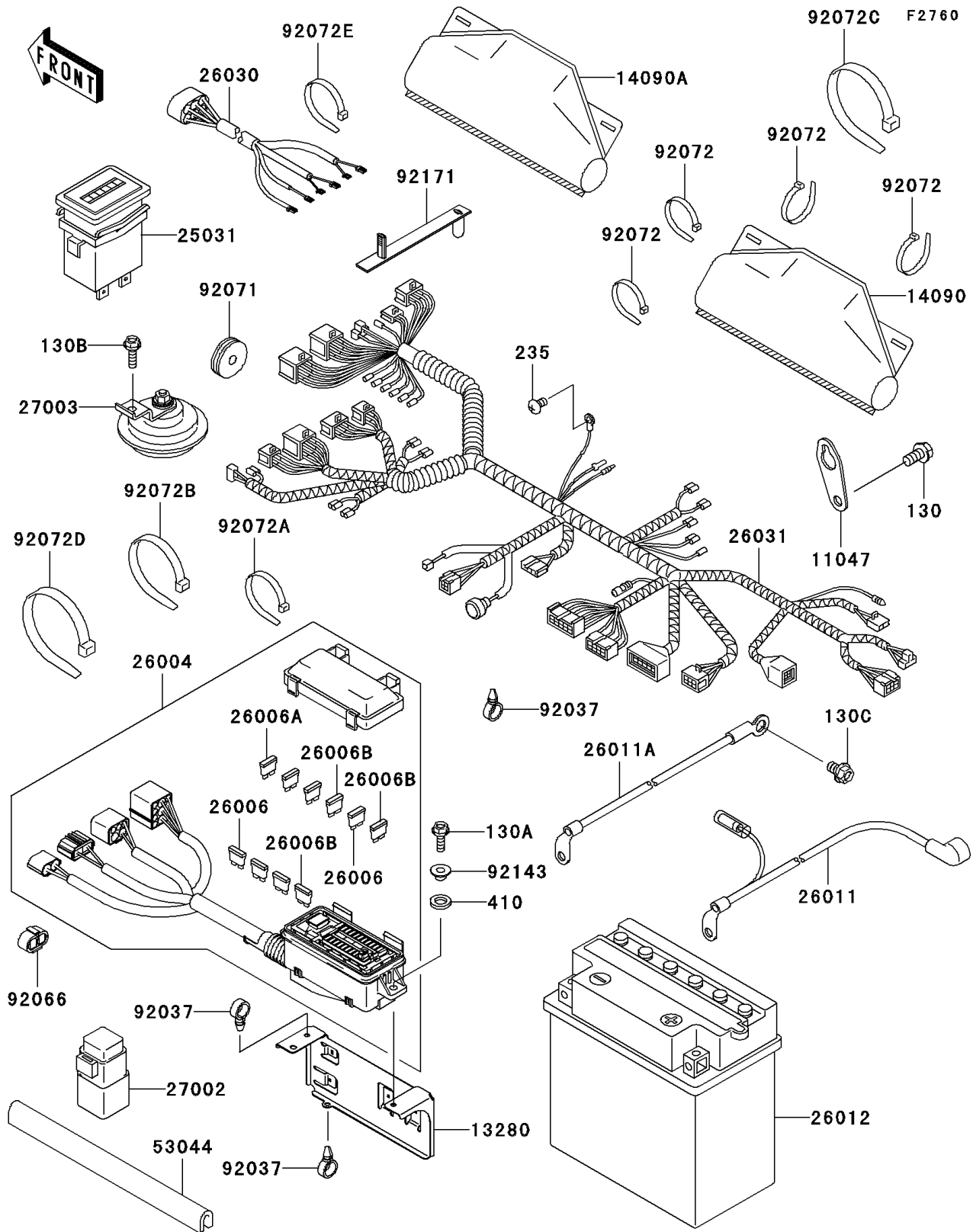


## 2006 MULE™ 3010 4x4 PARTS DIAGRAM

Chassis Electrical Equipment(E6F)



## 2006 MULE™ 3010 4x4 PARTS LIST

Chassis Electrical Equipment(EGF)

| ITEM NAME                                 | PART NUMBER   | QUANTITY |
|---|---------------|----------|
| BOLT-FLANGED,8X16 (Ref # 130)             | 130BA0816     | 1        |
| BOLT-FLANGED,6X18 (Ref # 130A)            | 130BB0618     | 1        |
| BOLT-FLANGED,6X20 (Ref # 130B)            | 130BB0620     | 1        |
| BOLT-FLANGED,8X12 (Ref # 130C)            | 130BB0812     | 1        |
| SCREW-PAN-WP-CROS,6X10 (Ref # 235)        | 235AA0610     | 1        |
| WASHER-PLAIN-SMALL,10MM,BLACK (Ref # 410) | 410F1000      | 1        |
| BRACKET,F.BLACK (Ref # 11047)             | 11047-2056-9H | 1        |
| HOLDER (Ref # 13280)                      | 13280-1220    | 1        |
| COVER,COUPLER (Ref # 14090)               | 14090-1331    | 1        |
| COVER,COUPLER (Ref # 14090A)              | 14090-1611    | 1        |
| METER-ASSY,HOUR (Ref # 25031)             | 25031-7505    | 1        |
| FUSE-ASSY (Ref # 26004)                   | 26004-0004    | 1        |
| FUSE,5A (Ref # 26006)                     | 26006-1077    | 1        |
| FUSE,20A (Ref # 26006A)                   | 26006-1079    | 1        |
| FUSE,30A (Ref # 26006B)                   | 26006-1080    | 1        |
| WIRE-LEAD,BATTERY(+) (Ref # 26011)        | 26011-1780    | 1        |
| WIRE-LEAD,BATTERY(-) (Ref # 26011A)       | 26011-1787    | 1        |
| BATTERY,YTX20L-BS,12V 18AH (Ref # 26012)  | 26012-3728    | 1        |
| HARNESS (Ref # 26030)                     | 26030-2322    | 1        |
| HARNESS,MAIN (Ref # 26031)                | 26031-0188    | 1        |
| RELAY-ASSY (Ref # 27002)                  | 27002-1068    | 1        |
| HORN (Ref # 27003)                        | 27003-1276    | 1        |
| TRIM (Ref # 53044)                        | 53044-1137    | 1        |
| CLAMP,HOSE (Ref # 92037)                  | 92037-1827    | 1        |
| PLUG (Ref # 92066)                        | 92066-1539    | 1        |
| GROMMET (Ref # 92071)                     | 92071-1136    | 1        |
| BAND,L=123 (Ref # 92072)                  | 92072-030     | 1        |
| BAND,L=149 (Ref # 92072A)                 | 92072-031     | 1        |
| BAND,L=202 (Ref # 92072B)                 | 92072-1195    | 1        |

## 2006 MULE™ 3010 4x4 PARTS LIST

Chassis Electrical Equipment(E6F)

| ITEM NAME                 | PART NUMBER | QUANTITY |
|---------------------------|-------------|----------|
| BAND,L=365 (Ref # 92072C) | 92072-1197  | 1        |
| BAND,L=250 (Ref # 92072D) | 92072-1237  | 1        |
| BAND,L=188 (Ref # 92072E) | 92072-1239  | 1        |
| COLLAR (Ref # 92143)      | 92143-1057  | 1        |
| CLAMP (Ref # 92171)       | 92171-1365  | 1        |