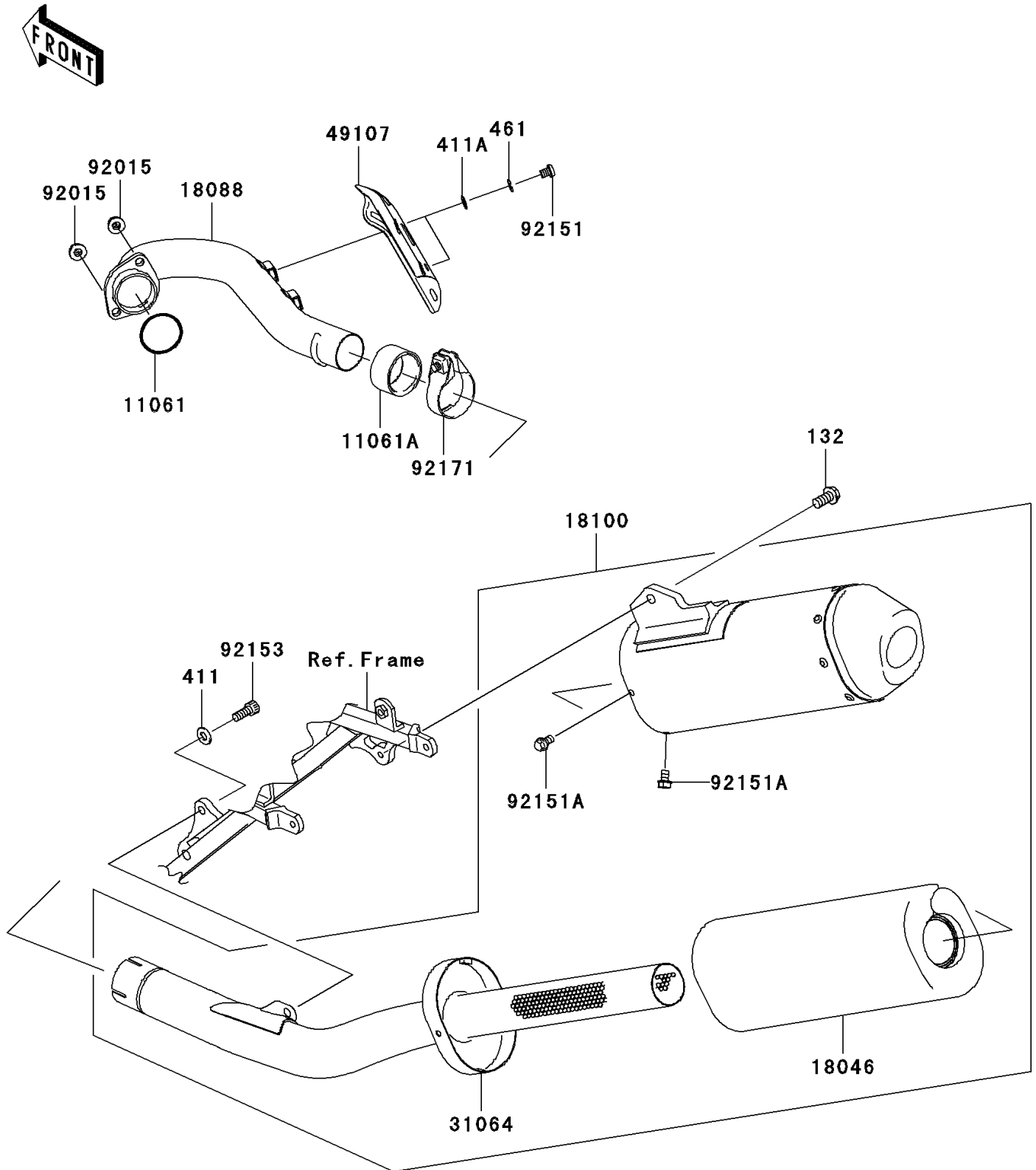


2008 KX™250F PARTS DIAGRAM

Muffler(s)

E1140



2008 KX™250F PARTS LIST

Muffler(s)

ITEM NAME	PART NUMBER	QUANTITY
BOLT-FLANGED-SMALL,8X18 (Ref # 132)	132BB0818	1
WASHER-PLAIN,8.5X18X1.6 (Ref # 411)	411AB0800	1
WASHER-PLAIN,6MM (Ref # 411A)	411S0600	1
WASHER-SPRING,6MM (Ref # 461)	461S0600	1
GASKET (Ref # 11061)	11061-0027	1
GASKET (Ref # 11061A)	11061-0101	1
WOOL (Ref # 18046)	18046-0042	1
PIPE-EXHAUST (Ref # 18088)	18088-0258	1
BODY-ASSY-MUFFLER (Ref # 18100)	18100-0074	1
PIPE-COMP (Ref # 31064)	31064-0124	1
COVER-EXHAUST PIPE (Ref # 49107)	49107-0126	1
NUT,8MM (Ref # 92015)	92015-1402	1
BOLT,SOCKET,6X10 (Ref # 92151)	92151-1449	1
BOLT,FLANGED,6X10 (Ref # 92151A)	92151-1822	1
BOLT,FLANGED-SMALL,8X18 (Ref # 92153)	92153-1963	1
CLAMP (Ref # 92171)	92171-0491	1