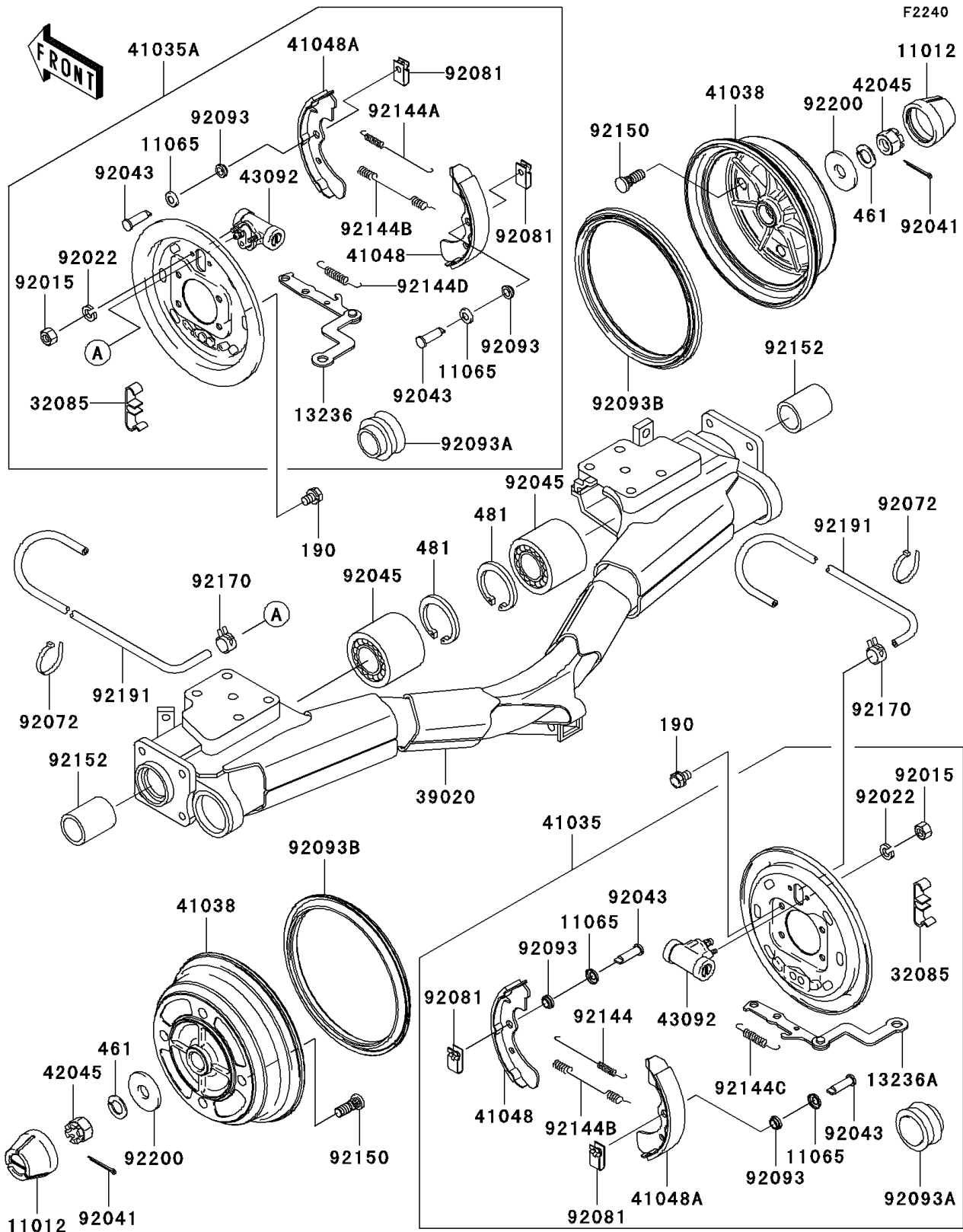


MULE™ 3010 Trans4x4® PARTS DIAGRAM

Rear Hubs/Brakes



MULE™ 3010 Trans4x4® PARTS LIST

Rear Hubs/Brakes

| ITEM NAME | PART NUMBER | QUANTITY |
|---|-------------|----------|
| BOLT-UPSET-WS,10X16 (Ref # 190) | 190H1016 | 1 |
| WASHER-SPRING,18MM (Ref # 461) | 461F1800 | 1 |
| CIRCLIP (Ref # 481) | 481J5200 | 1 |
| CAP,WHEEL (Ref # 11012) | 11012-1969 | 1 |
| CAP (Ref # 11065) | 11065-1175 | 1 |
| LEVER-COMP,RR BRAKE PANEL,RH (Ref # 13236) | 13236-1355 | 1 |
| LEVER-COMP,RR BRAKE PANEL,LH (Ref # 13236A) | 13236-1356 | 1 |
| STOPPER,REAR BRAKE LEVER (Ref # 32085) | 32085-1298 | 1 |
| BRACKET-COMP-REAR SUSP (Ref # 39020) | 39020-0001 | 1 |
| PANEL-ASSY-BRAKE,RR,LH (Ref # 41035) | 41035-1535 | 1 |
| PANEL-ASSY-BRAKE,RR,RH (Ref # 41035A) | 41035-1536 | 1 |
| DRUM,REAR BRAKE (Ref # 41038) | 41038-1336 | 1 |
| SHOE-BRAKE (Ref # 41048) | 41048-1132 | 1 |
| SHOE-BRAKE (Ref # 41048A) | 41048-1133 | 1 |
| NUT,CASTLE,18MM (Ref # 42045) | 42045-018 | 1 |
| CYLINDER,REAR WHEEL (Ref # 43092) | 43092-1053 | 1 |
| NUT,6MM (Ref # 92015) | 92015-1729 | 1 |
| WASHER,SPRING,6MM (Ref # 92022) | 92022-1951 | 1 |
| COTTER,4.0X35 (Ref # 92041) | 92041-1053 | 1 |
| PIN (Ref # 92043) | 92043-1636 | 1 |
| BEARING-BALL,25BWD02CA68 (Ref # 92045) | 92045-1411 | 1 |
| BAND,L=123 (Ref # 92072) | 92072-030 | 1 |
| SPRING,SHOE CLAMP (Ref # 92081) | 92081-1904 | 1 |
| SEAL (Ref # 92093) | 92093-1532 | 1 |
| SEAL (Ref # 92093A) | 92093-1533 | 1 |
| SEAL,BS184.8X13.5ZS (Ref # 92093B) | 92093-1543 | 1 |
| SPRING,BRAKE (Ref # 92144) | 92144-1299 | 1 |
| SPRING,BRAKE (Ref # 92144A) | 92144-1300 | 1 |
| SPRING,BRAKE (Ref # 92144B) | 92144-1301 | 1 |

MULE™ 3010 Trans4x4® PARTS LIST

Rear Hubs/Brakes

| ITEM NAME | PART NUMBER | QUANTITY |
|-----------------------------------|-------------|----------|
| SPRING,ROD,LH (Ref # 92144C) | 92144-1302 | 1 |
| SPRING,ROD,RH (Ref # 92144D) | 92144-1303 | 1 |
| BOLT (Ref # 92150) | 92150-1366 | 1 |
| COLLAR,25.1X38X40.8 (Ref # 92152) | 92152-1276 | 1 |
| CLAMP (Ref # 92170) | 92170-2042 | 1 |
| TUBE,4.7X9.5X1100 (Ref # 92191) | 92191-1525 | 1 |
| WASHER,18.5X52X4.5 (Ref # 92200) | 92200-1474 | 1 |