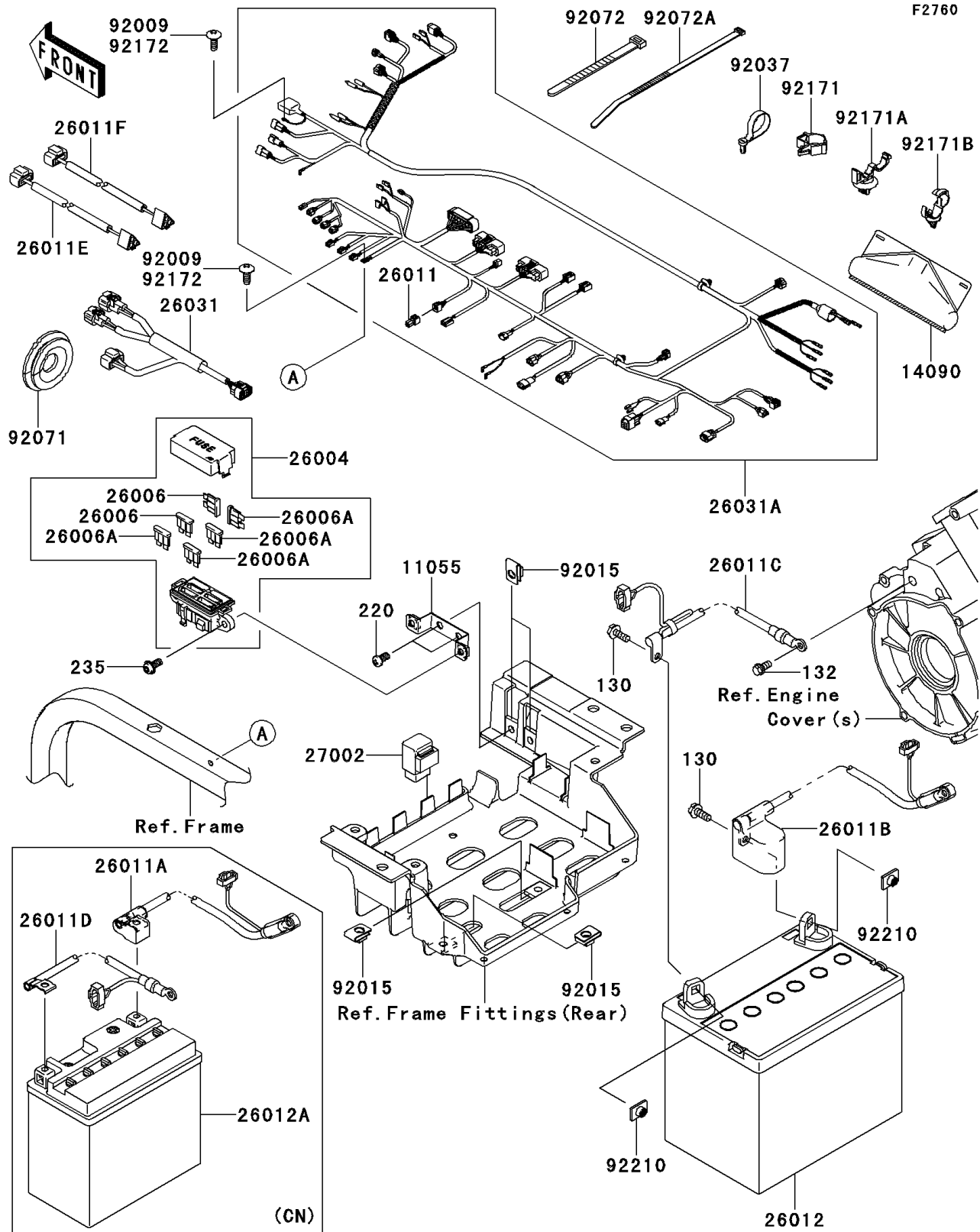


2010 Teryx® 750 FI 4x4 LE PARTS DIAGRAM

Chassis Electrical Equipment



2010 Teryx® 750 FI 4x4 LE PARTS LIST

Chassis Electrical Equipment

ITEM NAME	PART NUMBER	QUANTITY
BOLT-FLANGED-SMALL,6X12 (Ref # 132)	132BD0612	1
SCREW-PAN-CROS,6X12 (Ref # 220)	220AA0612	1
SCREW-PAN-WP-CROS,6X14 (Ref # 235)	235AA0614	1
BRACKET,FUSE&CONTROL UNIT (Ref # 11055)	11055-1391	1
COVER,COUPLER (Ref # 14090)	14090-1331	1
FUSE-ASSY (Ref # 26004)	26004-0016	1
FUSE,BLADE,30A,GREEN (Ref # 26006)	26006-0004	1
FUSE,BLADE,10A,RED (Ref # 26006A)	26006-0005	1
WIRE-LEAD (Ref # 26011)	26011-0037	1
WIRE-LEAD,HEAD LAMP,LH (Ref # 26011E)	26011-0276	1
WIRE-LEAD,HEAD LAMP,RH (Ref # 26011F)	26011-0277	1
HARNESS,SUB (Ref # 26031)	26031-0752	1
HARNESS,MAIN (Ref # 26031A)	26031-0931	1
RELAY-ASSY (Ref # 27002)	27002-1062	1
SCREW,TAPPING,6X16 (Ref # 92009)	92009-1166	1
NUT,6MM (Ref # 92015)	92015-1602	1
CLAMP,SPEED,L=80.5 (Ref # 92037)	92037-1903	1
GROMMET (Ref # 92071)	92071-0030	1
BAND,L=123 (Ref # 92072)	92072-030	1
BAND,L=292.1 (Ref # 92072A)	92072-3509	1
CLAMP,BRAKE HOSE (Ref # 92171)	92171-0316	1
CLAMP (Ref # 92171A)	92171-0453	1
CLAMP,DIA=13 (Ref # 92171B)	92171-1415	1
BOLT-FLANGED,6X16 (Ref # 130)	130BA0616	1
WIRE-LEAD,BATTERY(+) (Ref # 26011A)	26011-0130	1
WIRE-LEAD,BATTERY(+) (Ref # 26011B)	26011-0190	1
WIRE-LEAD,BATTERY(-) (Ref # 26011C)	26011-0231	1
WIRE-LEAD,BATTERY(-) (Ref # 26011D)	26011-0269	1
BATTERY,12V 14AH (Ref # 26012)	26012-0107	1

2010 Teryx® 750 FI 4x4 LE PARTS LIST

Chassis Electrical Equipment

ITEM NAME	PART NUMBER	QUANTITY
BATTERY,MF,KMX14-BS,12V 12AH (Ref # 26012A)	26012-1414	1
NUT,PLATE,6MM (Ref # 92210)	92210-1352	1