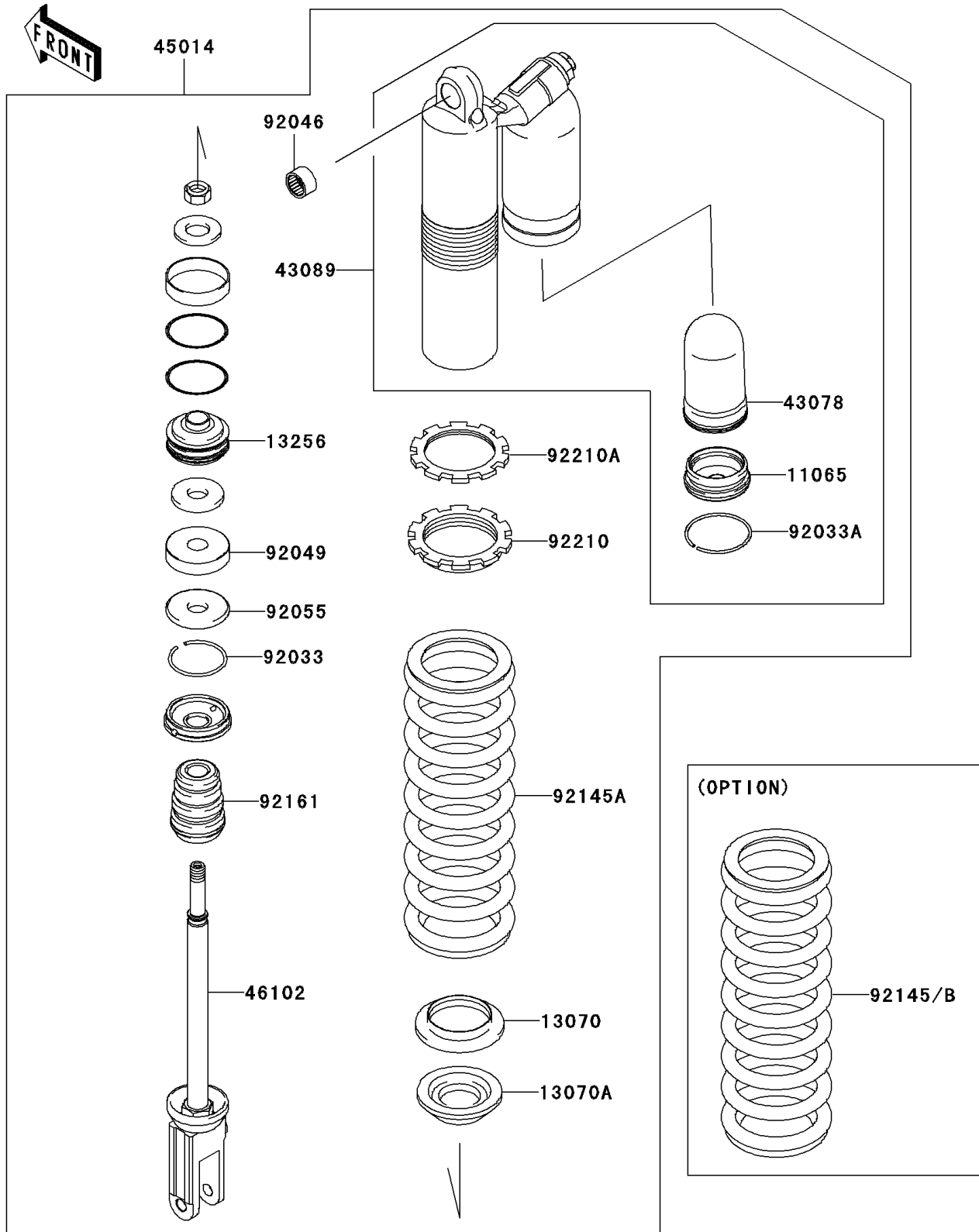


## 2010 KX™450F PARTS DIAGRAM

Shock Absorber(s)

F2280



## 2010 KX™450F PARTS LIST

Shock Absorber(s)

ITEM NAME	PART NUMBER	QUANTITY
CAP,SUB-TANK (Ref # 11065)	11065-0338	1
GUIDE,SPRING (Ref # 13070)	13070-0095	1
GUIDE,SPRING (Ref # 13070A)	13070-0101	1
PISTON,SHOCKABSORBER (Ref # 13256)	13256-0006	1
RESERVOIR,SHOCKABSORBER (Ref # 43078)	43078-0059	1
CYLINDER-SHOCKABSORBER (Ref # 43089)	43089-0019	1
SHOCKABSORBER,BLACK (Ref # 45014)	45014-0295-17D	1
ROD,PISTON (Ref # 46102)	46102-0147	1
RING-SNAP (Ref # 92033)	92033-0044	1
RING-SNAP (Ref # 92033A)	92033-0059	1
BEARING-NEEDLE,7E-HVS16X22X12 (Ref # 92046)	92046-1301	1
SEAL-OIL (Ref # 92049)	92049-0116	1
RING-O (Ref # 92055)	92055-0165	1
SPRING,SHOCK,K=52N/MM,BLACK (Ref # 92145)	92145-0638-17D	1
SPRING,SHOCK,K=54N/MM,BLACK (Ref # 92145A)	92145-0716-17D	1
SPRING,SHOCK,K=56N/MM,BLACK (Ref # 92145B)	92145-0762-17D	1
DAMPER,SHOCKABSORBER (Ref # 92161)	92161-1172	1
NUT,SPRING ADJUST (Ref # 92210)	92210-0494	1
NUT,SPRING ADJUST LOCK (Ref # 92210A)	92210-0495	1