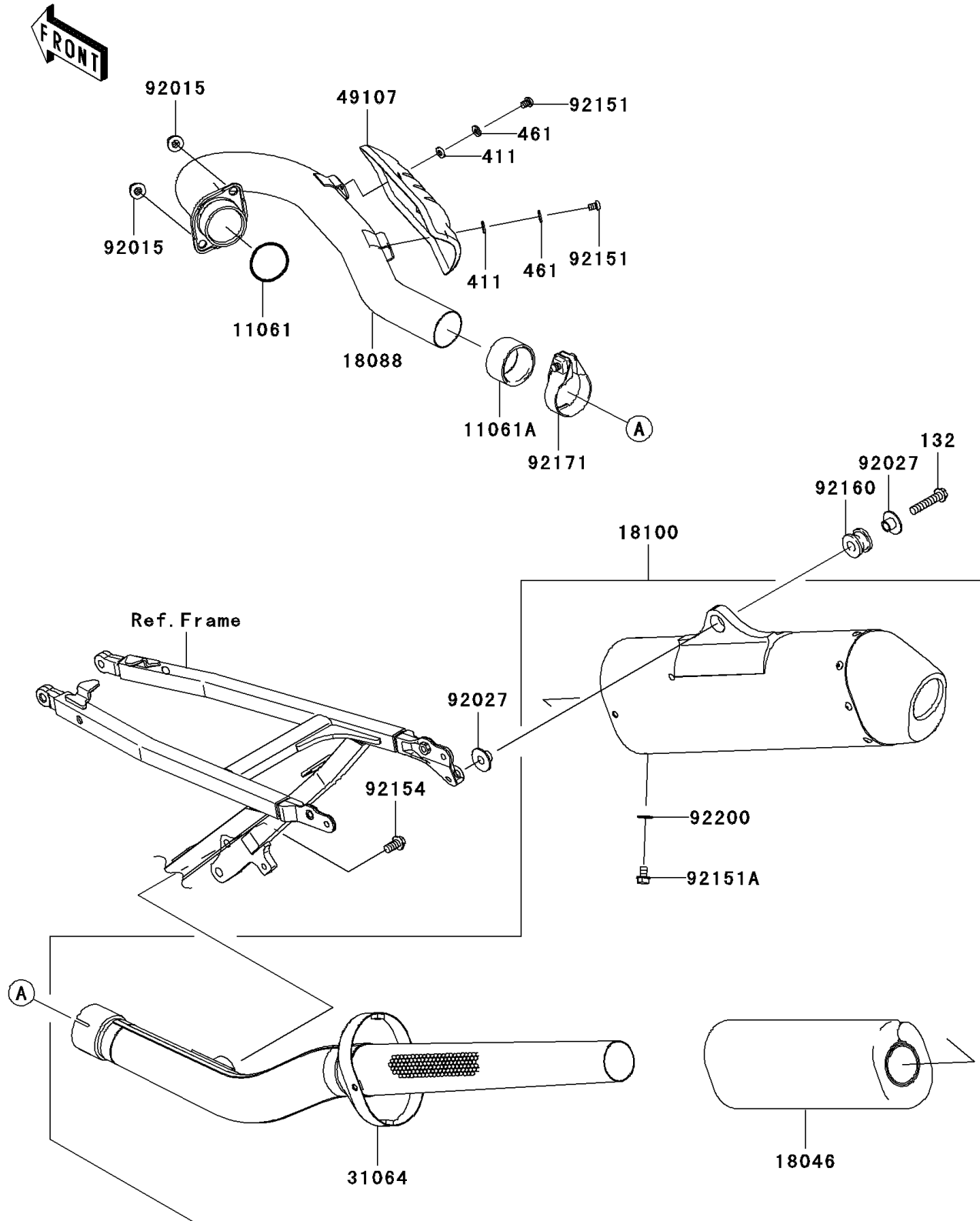


2010 KX™450F PARTS DIAGRAM

Muffler(s)

E1140



2010 KX™450F PARTS LIST

Muffler(s)

ITEM NAME	PART NUMBER	QUANTITY
BOLT-FLANGED-SMALL,8X40 (Ref # 132)	132BA0840	1
WASHER-PLAIN,6MM (Ref # 411)	411S0600	1
WASHER-SPRING,6MM (Ref # 461)	461S0600	1
GASKET,38.9X46.4X3.0 (Ref # 11061)	11061-0082	1
GASKET,41.0X48.7X32.0 (Ref # 11061A)	11061-0226	1
WOOL (Ref # 18046)	18046-0081	1
PIPE-EXHAUST (Ref # 18088)	18088-0529	1
BODY-ASSY-MUFFLER (Ref # 18100)	18100-0100	1
PIPE-COMP (Ref # 31064)	31064-0151	1
COVER-EXHAUST PIPE (Ref # 49107)	49107-0159	1
NUT,8MM (Ref # 92015)	92015-1402	1
COLLAR,FLANGED,8.8X10.6 (Ref # 92027)	92027-1653	1
BOLT,SOCKET,6X10 (Ref # 92151)	92151-1449	1
BOLT,FLANGED,6X10 (Ref # 92151A)	92151-1822	1
BOLT,FLANGED-SMALL,8X18 (Ref # 92154)	92154-0056	1
DAMPER,MUFFLER MOUNT (Ref # 92160)	92160-1116	1
CLAMP (Ref # 92171)	92171-0653	1
WASHER,6.5X16X1.0 (Ref # 92200)	92200-3712	1