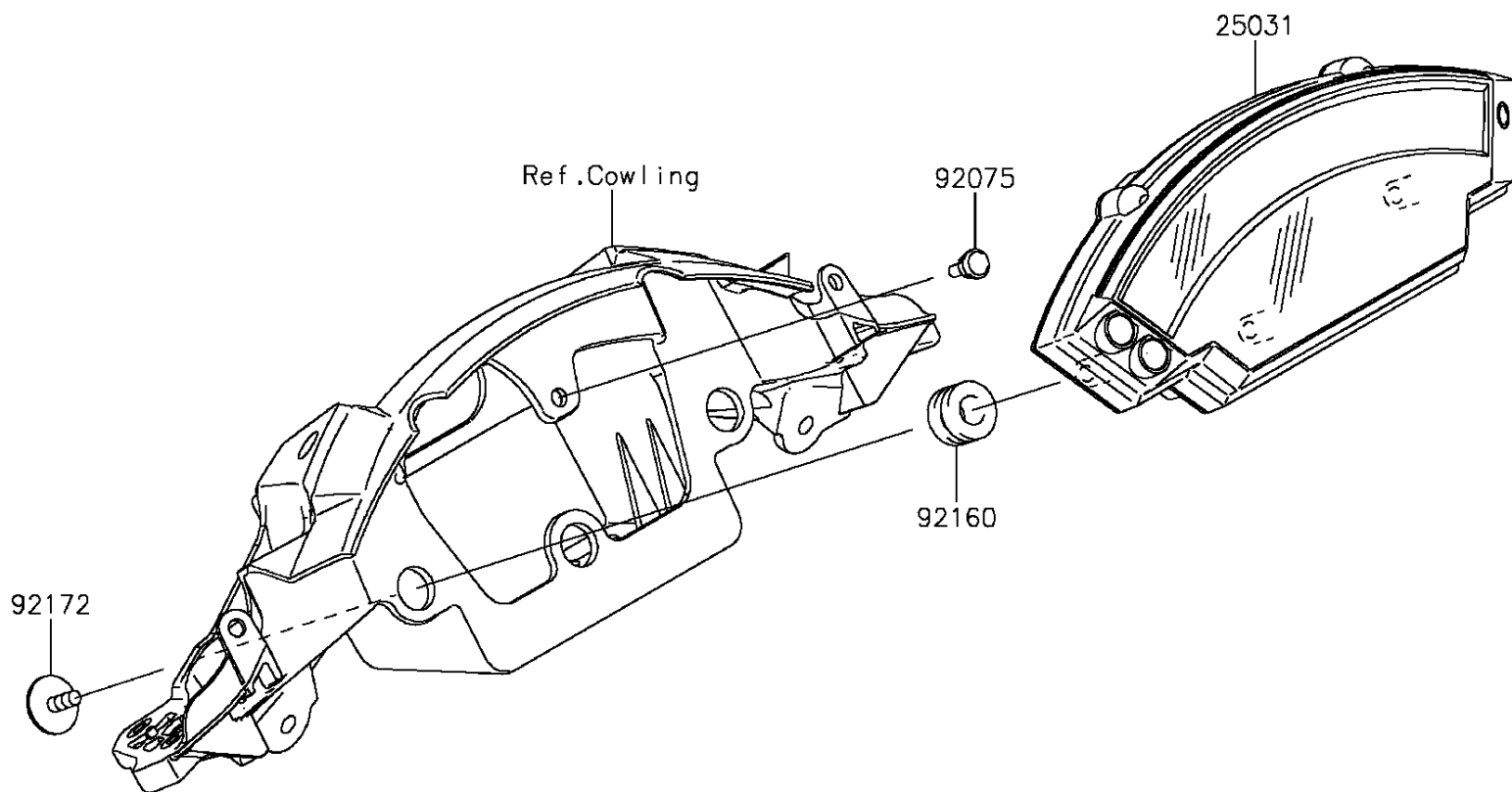


## 2015 NINJA® ZX™10R ABS PARTS DIAGRAM

Meter(s)

F2530



## 2015 NINJA® ZX™10R ABS PARTS LIST

Meter(s)

ITEM NAME	PART NUMBER	QUANTITY
METER-ASSY,COMBINATION (Ref # 25031)	25031-0619	1
DAMPER (Ref # 92075)	92075-1808	1
DAMPER (Ref # 92160)	92160-1167	1
SCREW,TAPPING,WP,5X14 (Ref # 92172)	92172-0441	1