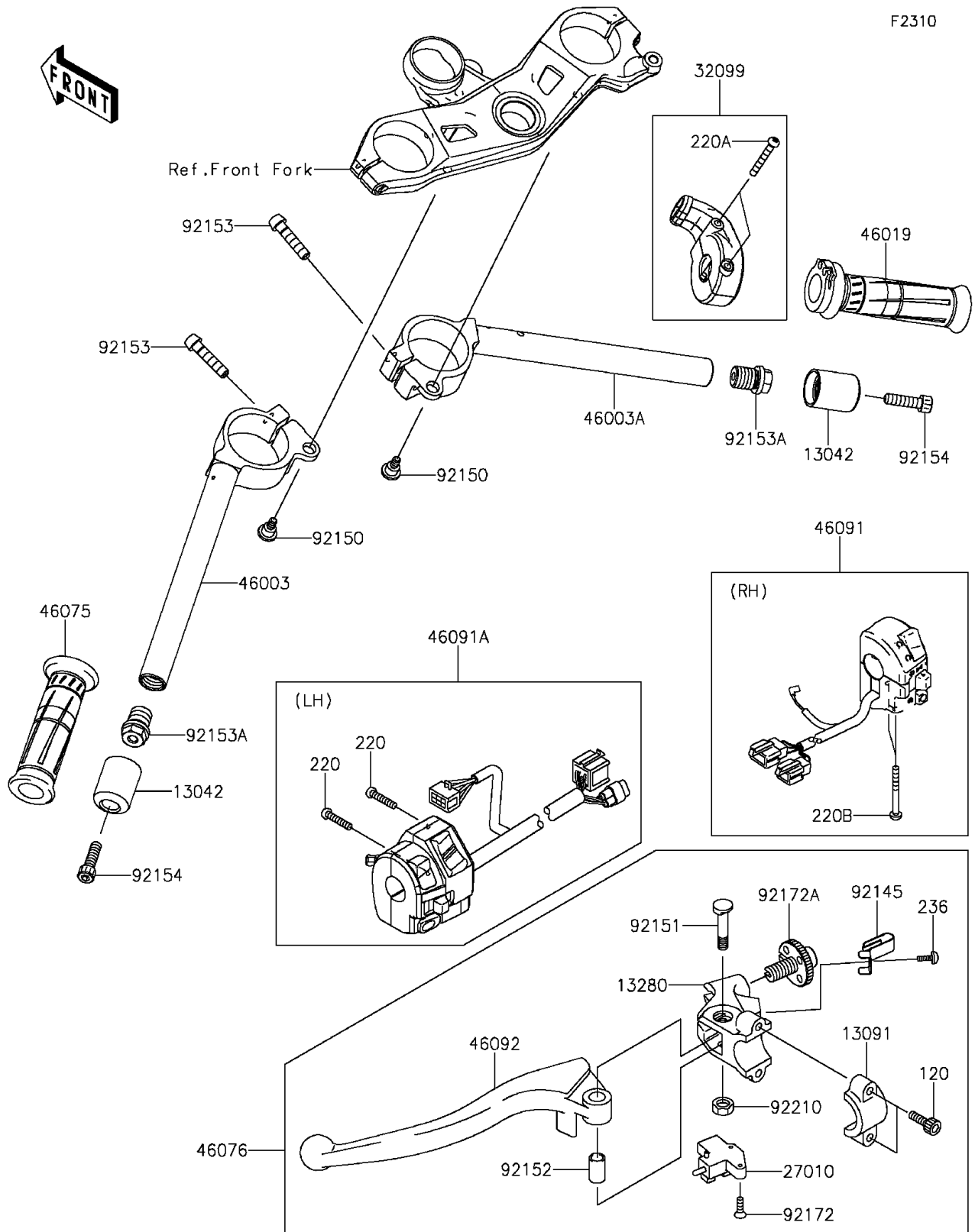


2015 NINJA® ZX™10R ABS PARTS DIAGRAM

Handlebar



2015 NINJA® ZX™10R ABS PARTS LIST

Handlebar

| ITEM NAME | PART NUMBER | QUANTITY |
|--|-------------|----------|
| BOLT-SOCKET,6X20 (Ref # 120) | 120CA0620 | 1 |
| SCREW-PAN-CROS,5X25 (Ref # 220) | 220AB0525 | 1 |
| SCREW-PAN-CROS,5X35 (Ref # 220A) | 220AB0535 | 1 |
| SCREW-PAN-CROS,5X45 (Ref # 220B) | 220AB0545 | 1 |
| SCREW-PAN-WSP-CROS,4X10 (Ref # 236) | 236AB0410 | 1 |
| WEIGHT,HANDLE (Ref # 13042) | 13042-5001 | 1 |
| HOLDER,CLUTCH LEVER (Ref # 13091) | 13091-1624 | 1 |
| HOLDER,CLUTCH LEVER (Ref # 13280) | 13280-1160 | 1 |
| SWITCH,CLUTCH (Ref # 27010) | 27010-0805 | 1 |
| CASE,THROTTLE (Ref # 32099) | 32099-0049 | 1 |
| HANDLE,LH (Ref # 46003) | 46003-0192 | 1 |
| HANDLE,RH (Ref # 46003A) | 46003-0193 | 1 |
| GRIP-ASSY,THROTTLE (Ref # 46019) | 46019-0020 | 1 |
| GRIP,LH (Ref # 46075) | 46075-0068 | 1 |
| LEVER-ASSY-GRIP,CLUTCH (Ref # 46076) | 46076-0104 | 1 |
| HOUSING-ASSY-CONTROL,RH (Ref # 46091) | 46091-0114 | 1 |
| HOUSING-ASSY-CONTROL,LH (Ref # 46091A) | 46091-0212 | 1 |
| LEVER-GRIP,CLUTCH (Ref # 46092) | 46092-0006 | 1 |
| SPRING (Ref # 92145) | 92145-1286 | 1 |
| BOLT,6MM (Ref # 92150) | 92150-1090 | 1 |
| BOLT (Ref # 92151) | 92151-1523 | 1 |
| COLLAR (Ref # 92152) | 92152-0103 | 1 |
| BOLT,SOCKET,8X35 (Ref # 92153) | 92153-0907 | 1 |
| BOLT,17X18 (Ref # 92153A) | 92153-1667 | 1 |
| BOLT,SOCKET,8X30 (Ref # 92154) | 92154-0502 | 1 |
| SCREW,3X16 (Ref # 92172) | 92172-0183 | 1 |
| SCREW,ADJUST NUT (Ref # 92172A) | 92172-1060 | 1 |
| NUT,LOCK,6MM (Ref # 92210) | 92210-0006 | 1 |