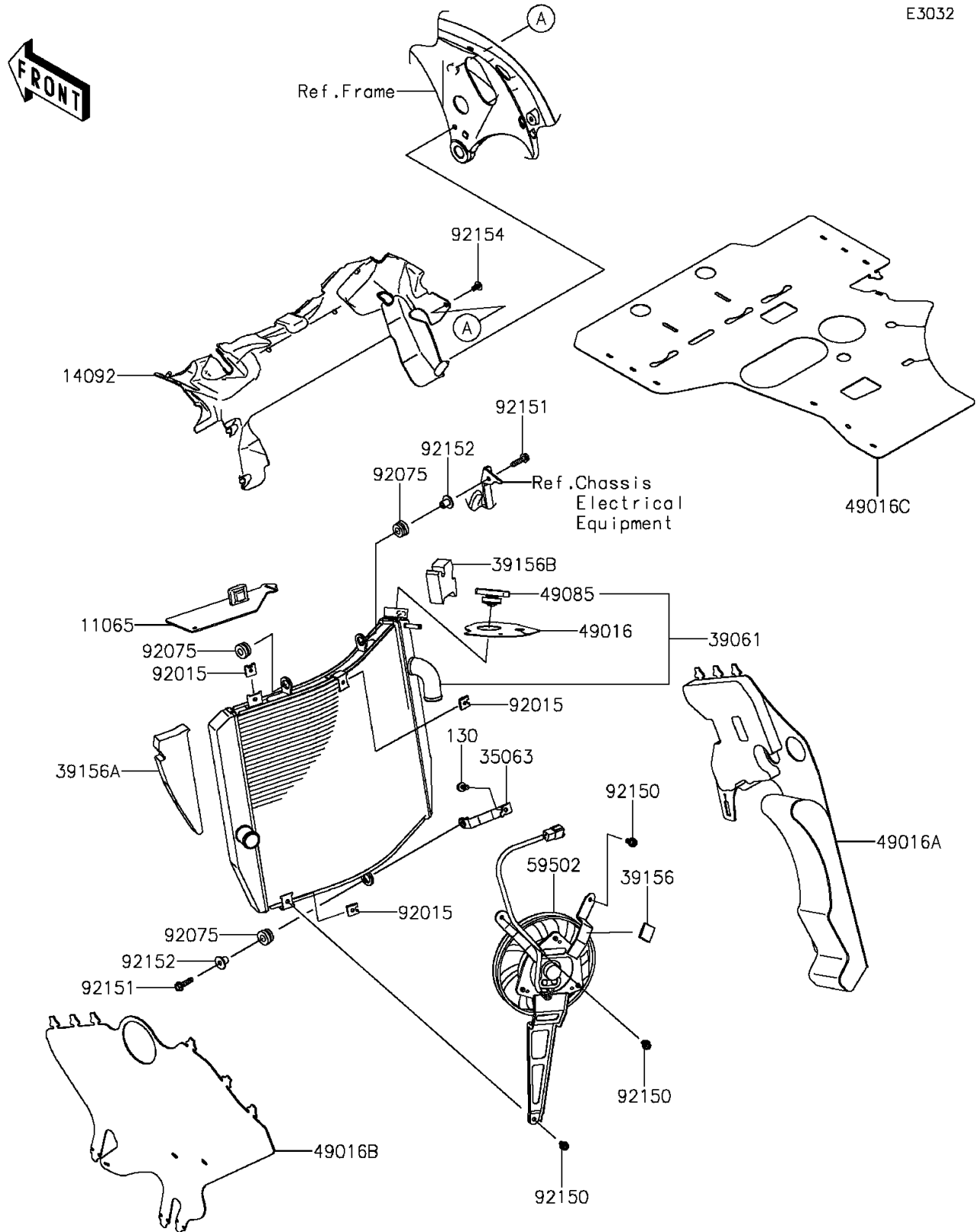


2015 NINJA® ZX™10R ABS PARTS DIAGRAM

Radiator

E3032



2015 NINJA® ZX™10R ABS PARTS LIST

Radiator

ITEM NAME	PART NUMBER	QUANTITY
BOLT-FLANGED,6X14 (Ref # 130)	130BA0614	1
CAP (Ref # 11065)	11065-0737	1
COVER (Ref # 14092)	14092-0945	1
STAY (Ref # 35063)	35063-0701	1
RADIATOR-ASSY (Ref # 39061)	39061-0566	1
PAD (Ref # 39156)	39156-0285	1
PAD (Ref # 39156A)	39156-0669	1
PAD (Ref # 39156B)	39156-0671	1
COVER-SEAL (Ref # 49016)	49016-0085	1
COVER-SEAL,ENGINE RH (Ref # 49016A)	49016-0567	1
COVER-SEAL,ENGINE LH (Ref # 49016B)	49016-0569	1
COVER-SEAL (Ref # 49016C)	49016-0576	1
CAP-ASSY-PRESSURE (Ref # 49085)	49085-1078	1
FAN-ASSY (Ref # 59502)	59502-0574	1
NUT (Ref # 92015)	92015-1487	1
DAMPER,RUBBER (Ref # 92075)	92075-1123	1
BOLT,6X12 (Ref # 92150)	92150-1186	1
BOLT,FLANGED,6X25 (Ref # 92151)	92151-1225	1
COLLAR (Ref # 92152)	92152-1074	1
BOLT,SOCKET,6X12 (Ref # 92154)	92154-0204	1