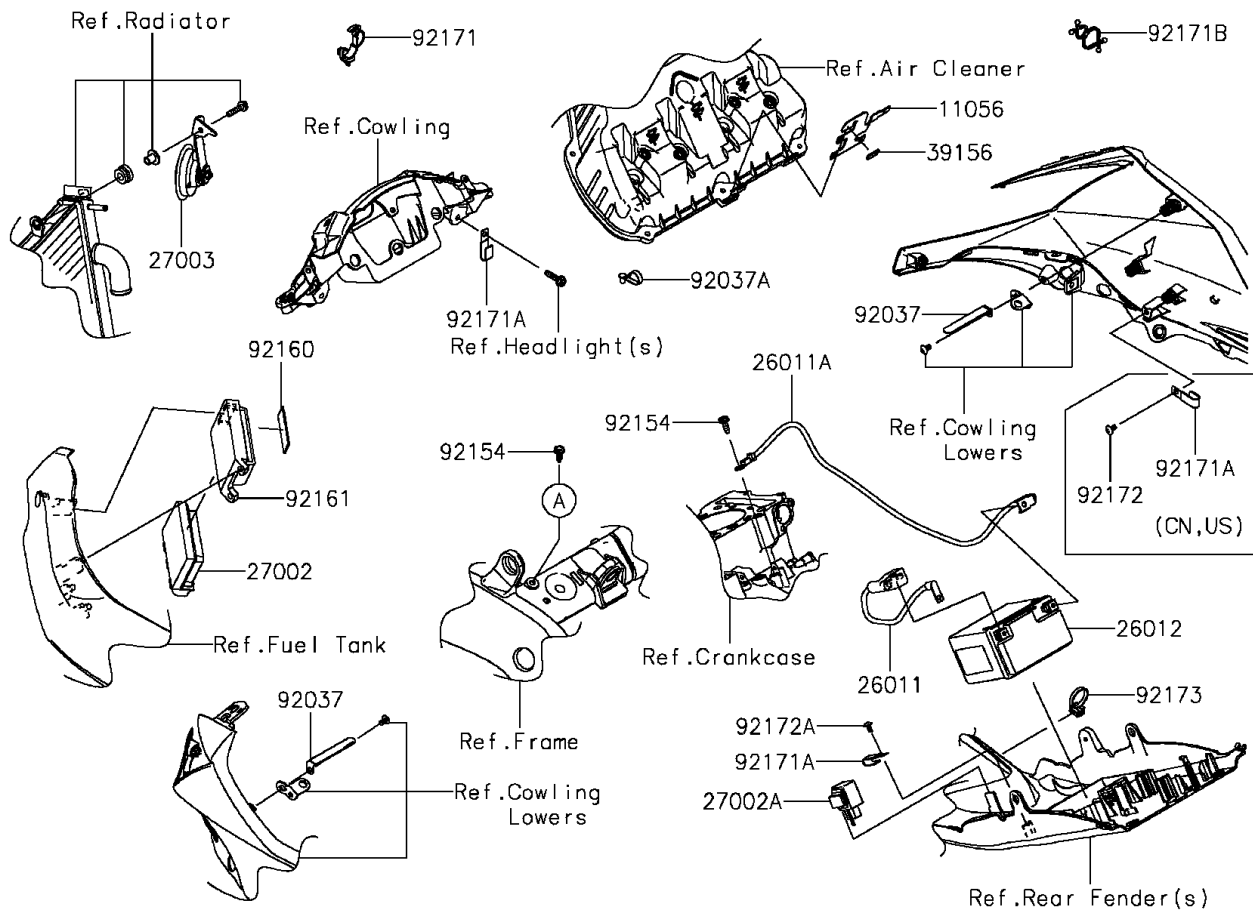
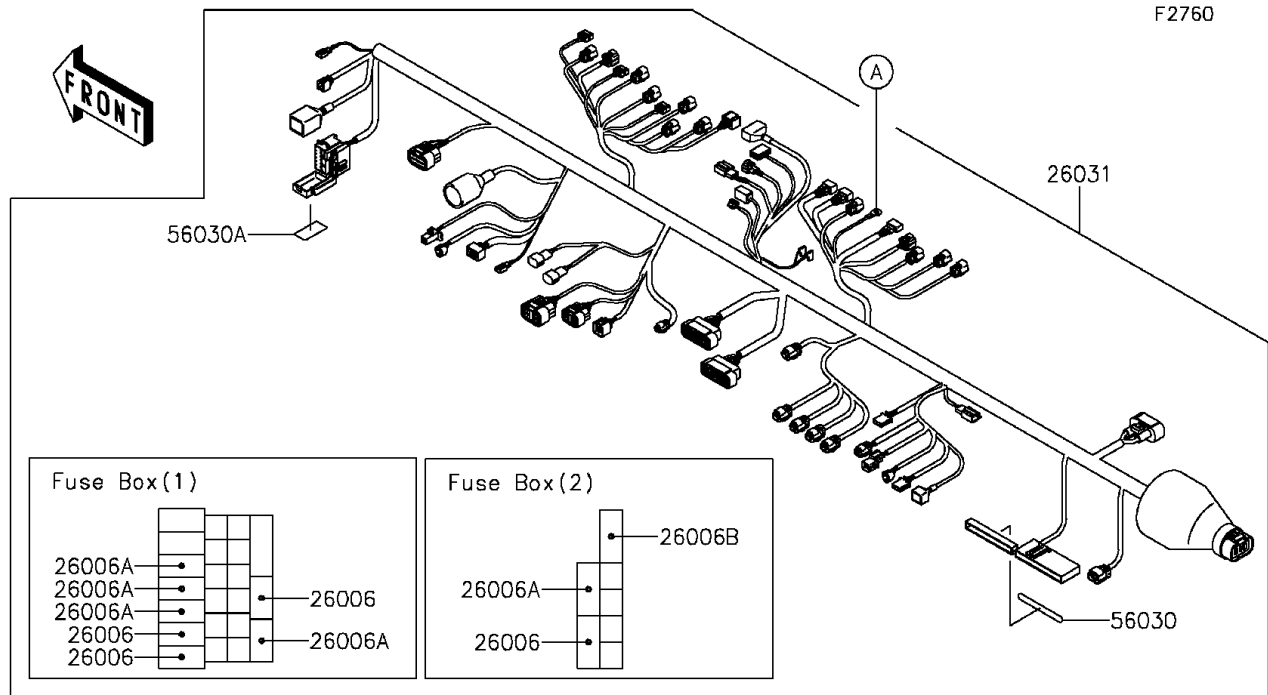


2015 NINJA® ZX™-10R PARTS DIAGRAM

Chassis Electrical Equipment



2015 NINJA® ZX™-10R PARTS LIST

Chassis Electrical Equipment

ITEM NAME	PART NUMBER	QUANTITY
BRACKET (Ref # 11056)	11056-0384	1
FUSE,MINI BLADE,15A,BLUE (Ref # 26006)	26006-0001	1
FUSE,MINI BLADE,10A,RED (Ref # 26006A)	26006-1078	1
FUSE,MINI BLADE,30A,GREEN (Ref # 26006B)	26006-1080	1
WIRE-LEAD,BATTERY(+) (Ref # 26011)	26011-0295	1
WIRE-LEAD,BATTERY(-) (Ref # 26011A)	26011-0296	1
BATTERY,YTZ7S(F),12V 6AH (Ref # 26012)	26012-0563	1
HARNESS,MAIN (Ref # 26031)	26031-1716	1
RELAY-ASSY (Ref # 27002)	27002-0007	1
RELAY-ASSY,SIGNAL LAMP (Ref # 27002A)	27002-1097	1
HORN (Ref # 27003)	27003-0073	1
PAD,HEAT GUARD (Ref # 39156)	39156-0389	1
LABEL,FUSE BOX2 (Ref # 56030)	56030-0399	1
LABEL,FUSE BOX1 (Ref # 56030A)	56030-0755	1
CLAMP (Ref # 92037)	92037-1679	1
CLAMP,SPEED,L=80.5 (Ref # 92037A)	92037-1903	1
BOLT,FLANGED,6X16 (Ref # 92154)	92154-0551	1
DAMPER (Ref # 92160)	92160-1075	1
DAMPER,RELAY BOX (Ref # 92161)	92161-0909	1
CLAMP,CLIP,DIA=20 (Ref # 92171)	92171-0068	1
CLAMP (Ref # 92171B)	92171-1176	1
SCREW,TAPPING,5X10 (Ref # 92172A)	92172-0335	1
CLAMP (Ref # 92173)	92173-0791	1
CLAMP (Ref # 92171A)	92171-0305	2
SCREW,TAPPING,5X10 (Ref # 92172)	92172-0262	1