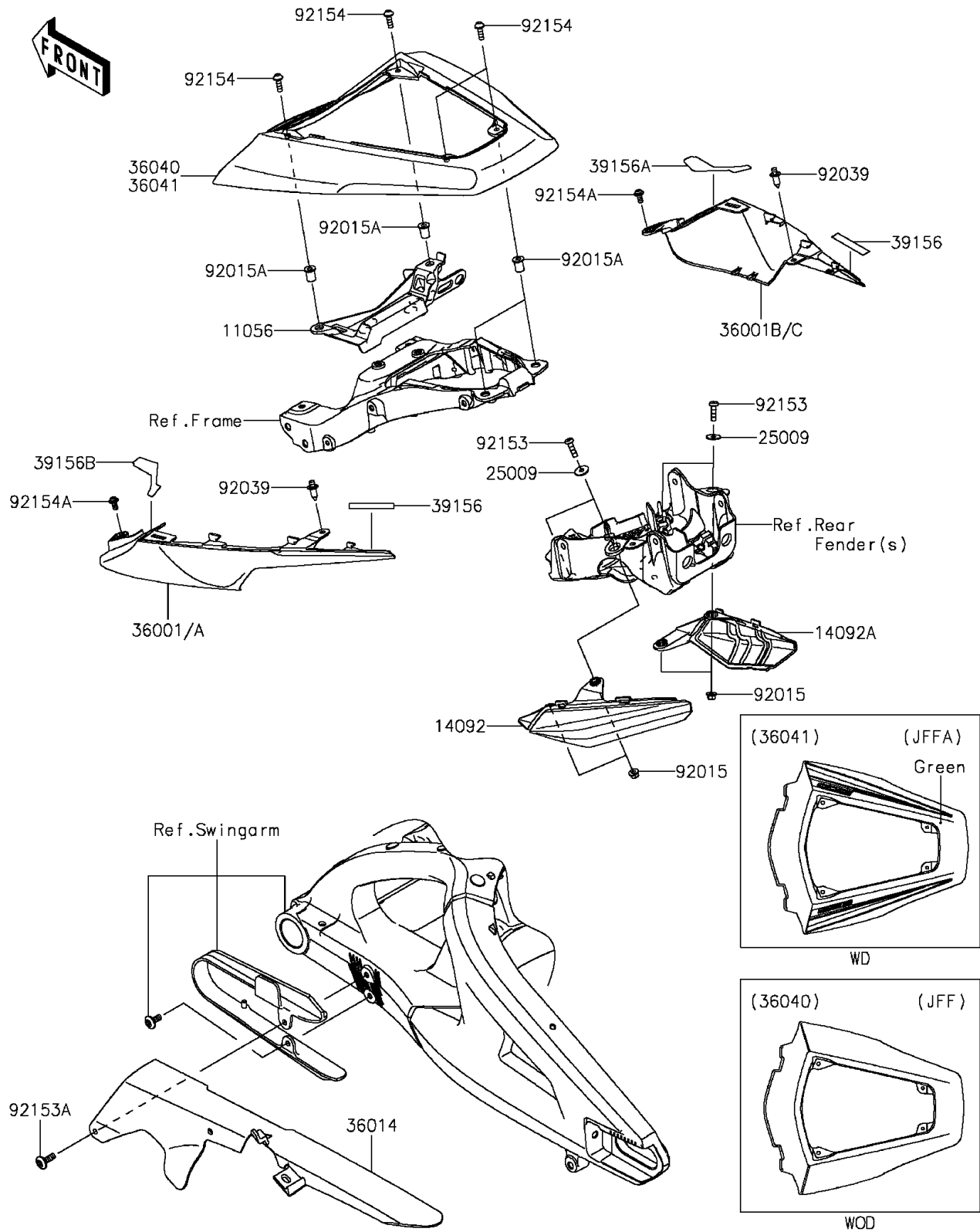


## 2015 NINJA® ZX™-10R PARTS DIAGRAM

Side Covers/Chain Cover

F2610



## 2015 NINJA® ZX™-10R PARTS LIST

Side Covers/Chain Cover

ITEM NAME	PART NUMBER	QUANTITY
BRACKET (Ref # 11056)	11056-0601	1
COVER,RR SIGNAL,LH (Ref # 14092)	14092-0784	1
COVER,RR SIGNAL,RH (Ref # 14092A)	14092-0785	1
WASHER,5.2X16X1.2 (Ref # 25009)	25009-004	1
COVER-SIDE,TAIL,LH,F.EBONY (Ref # 36001A)	36001-0580-45L	1
COVER-SIDE,TAIL,RH,F.EBONY (Ref # 36001C)	36001-0581-45L	1
CASE-CHAIN (Ref # 36014)	36014-0062	1
COVER-TAIL,M.M.C.GRAY (Ref # 36040)	36040-0124-51B	1
PAD,10X50X0.2 (Ref # 39156)	39156-0712	1
PAD,SIDE COVER,RH (Ref # 39156A)	39156-0743	1
PAD,SIDE COVER,LH (Ref # 39156B)	39156-0744	1
NUT,LOCK,FLANGED,5MM (Ref # 92015)	92015-1752	1
NUT,WELL,5MM (Ref # 92015A)	92015-1757	1
RIVET (Ref # 92039)	92039-0068	1
BOLT,SOCKET,5X18 (Ref # 92153)	92153-0370	1
BOLT,SOCKET,6X14 (Ref # 92153A)	92153-0422	1
BOLT,SOCKET,5X16 (Ref # 92154)	92154-0209	1
BOLT,SOCKET,5X10 (Ref # 92154A)	92154-0211	1