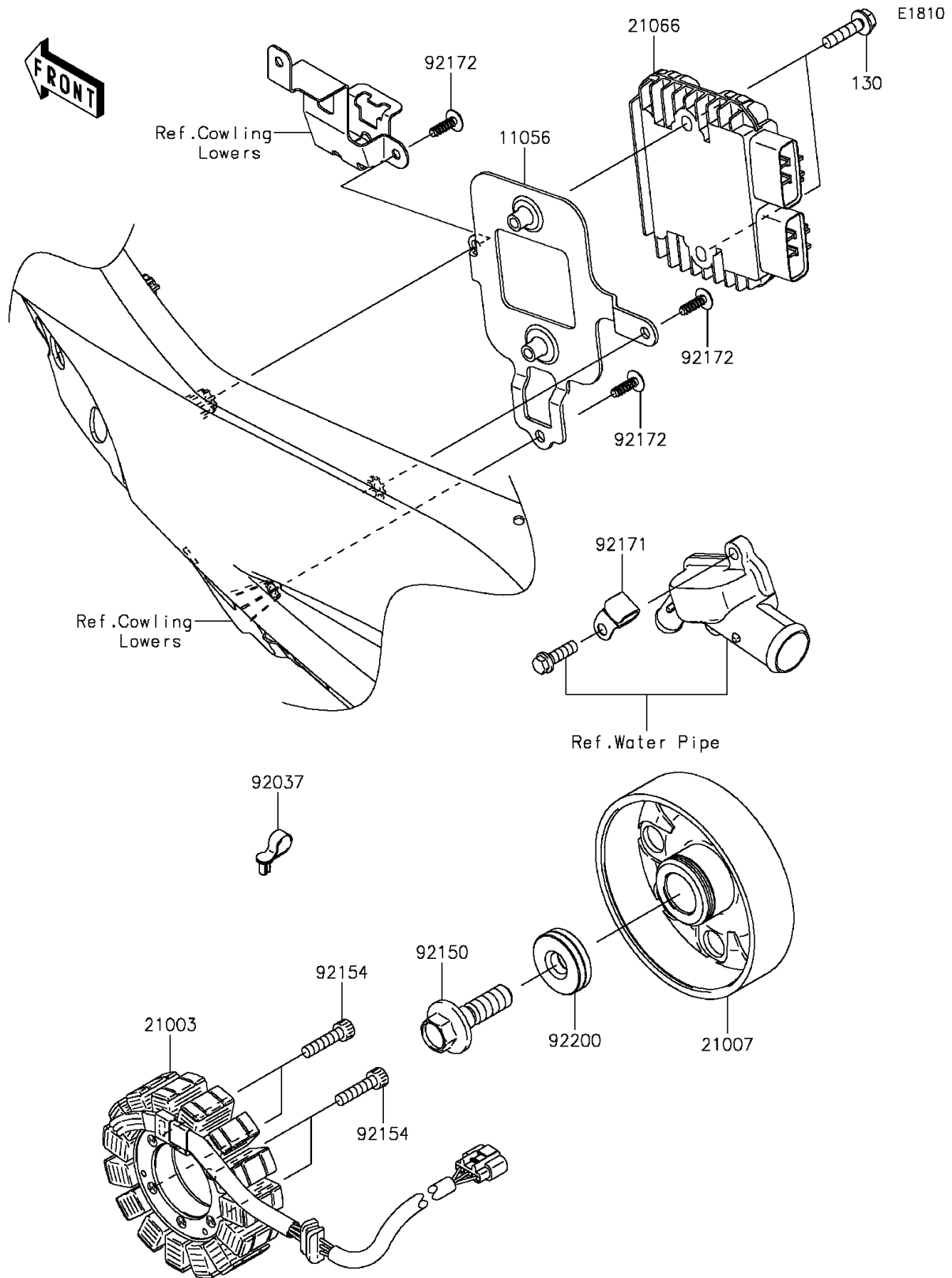


2015 NINJA® ZX™-10R PARTS DIAGRAM

Generator



2015 NINJA® ZX™-10R PARTS LIST

Generator

ITEM NAME	PART NUMBER	QUANTITY
BOLT-FLANGED,6X25 (Ref # 130)	130BA0625	1
BRACKET,REGULATOR (Ref # 11056)	11056-0191	1
STATOR (Ref # 21003)	21003-0107	1
ROTOR (Ref # 21007)	21007-0157	1
REGULATOR-VOLTAGE (Ref # 21066)	21066-0731	1
CLAMP,SPEED,L=43 (Ref # 92037)	92037-1290	1
BOLT,12X40 (Ref # 92150)	92150-1717	1
BOLT,SOCKET,6X25 (Ref # 92154)	92154-0477	1
CLAMP (Ref # 92171)	92171-0534	1
SCREW,TAPPING,5X16 (Ref # 92172)	92172-0175	1
WASHER,12X34X9 (Ref # 92200)	92200-0369	1