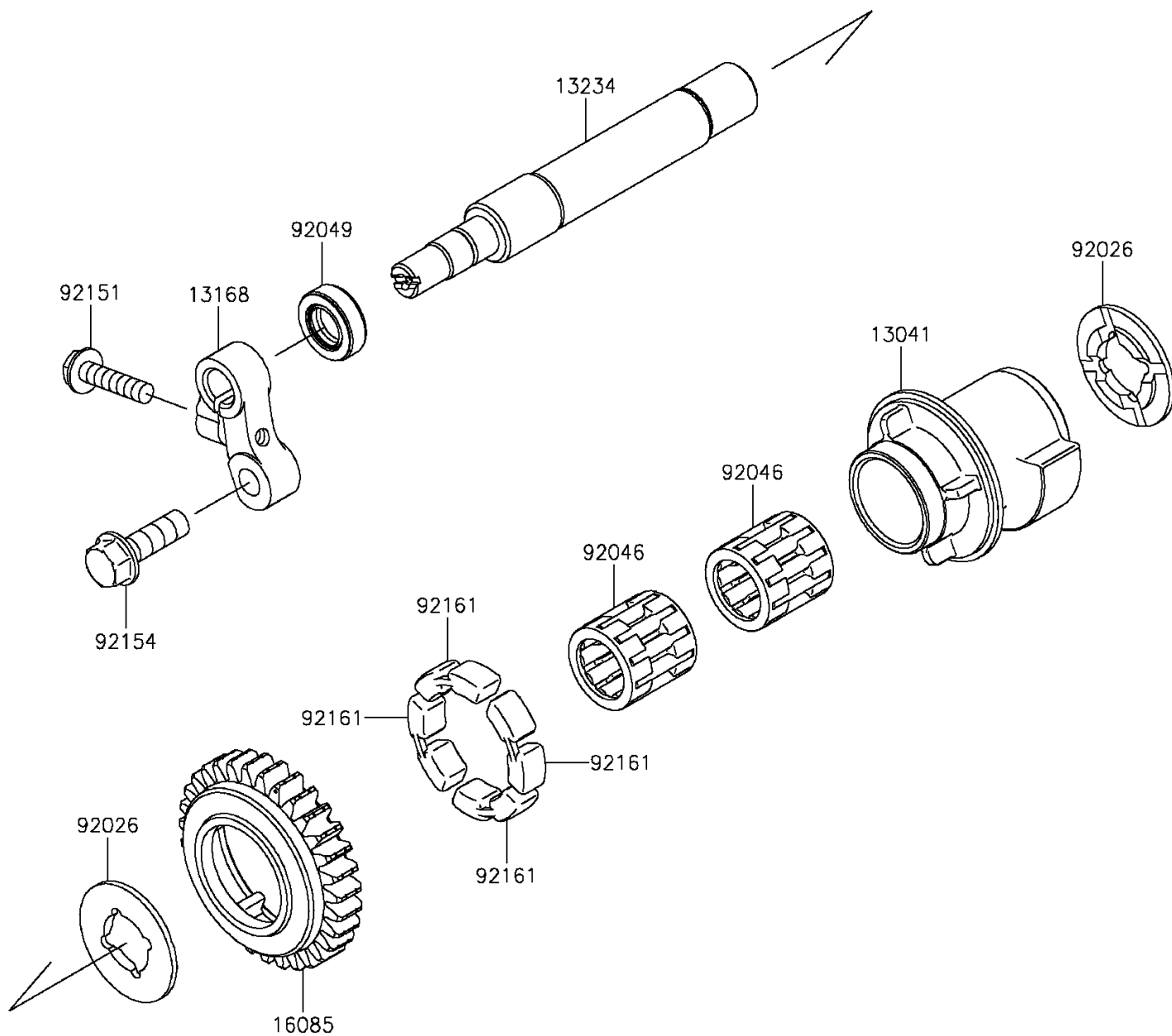


2015 NINJA® ZX™-10R PARTS DIAGRAM

Balancer

E1323



2015 NINJA® ZX™-10R PARTS LIST

Balancer

ITEM NAME	PART NUMBER	QUANTITY
BALANCER (Ref # 13041)	13041-0553	1
LEVER (Ref # 13168)	13168-0115	1
SHAFT-COMP (Ref # 13234)	13234-0589	1
GEAR,BALANCER,31T (Ref # 16085)	16085-0144	1
SPACER (Ref # 92026)	92026-0082	1
BEARING-NEEDLE (Ref # 92046)	92046-1266	1
SEAL-OIL (Ref # 92049)	92049-0720	1
BOLT,FLANGED-SMALL,6X25 (Ref # 92151)	92151-1930	1
BOLT,FLANGED,8X25 (Ref # 92154)	92154-0413	1
DAMPER (Ref # 92161)	92161-1055	1