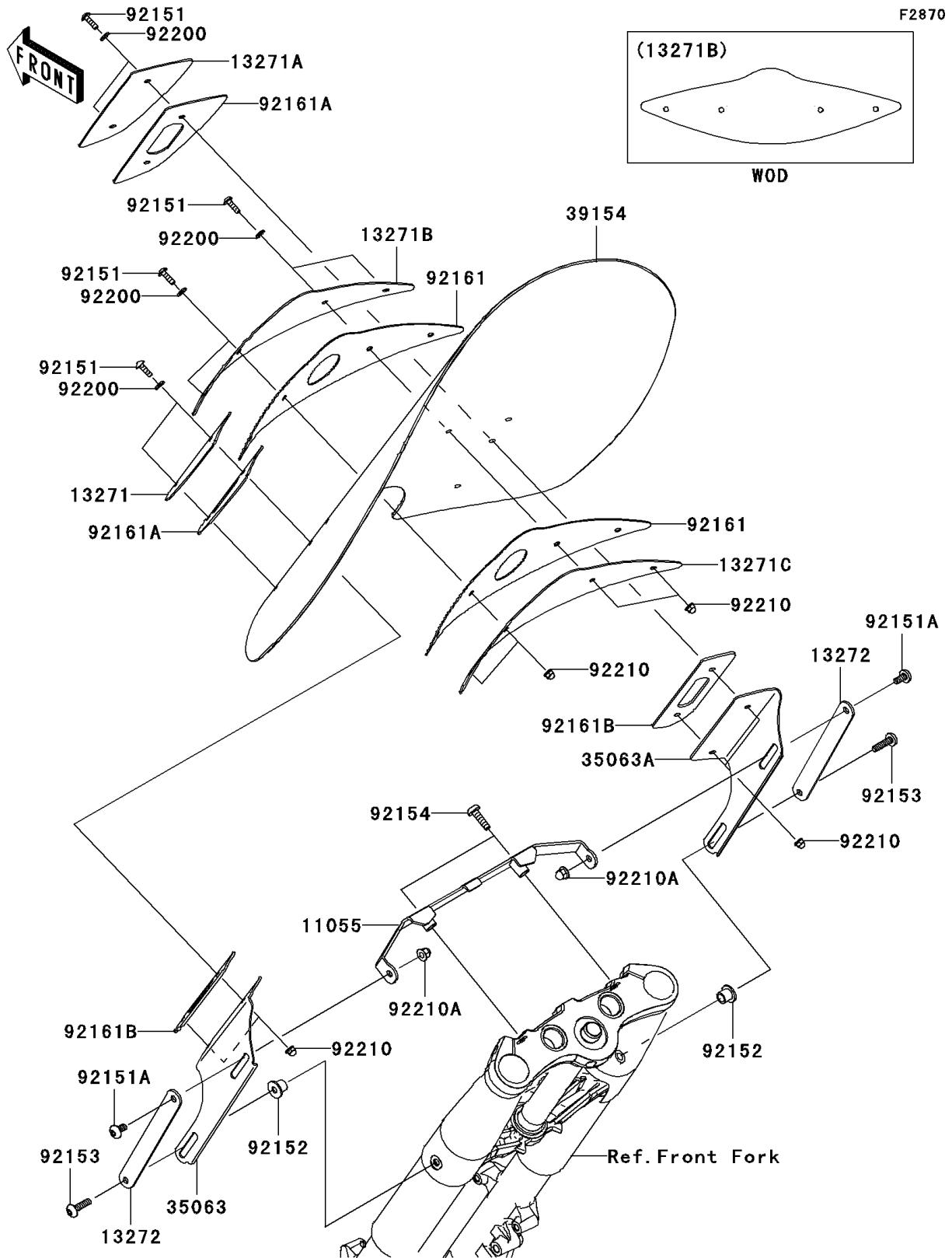


2009 Vulcan® 1700 Classic LT PARTS DIAGRAM

Cowling



2009 Vulcan® 1700 Classic LT PARTS LIST

Cowling

ITEM NAME	PART NUMBER	QUANTITY
BRACKET (Ref # 11055)	11055-1897	1
PLATE,WINDSHIELD,LH,OUTER (Ref # 13271)	13271-0704	1
PLATE,WINDSHIELD,RH,OUTER (Ref # 13271A)	13271-0705	1
PLATE,WINDSHIELD,CNT,OUTER (Ref # 13271B)	13271-0706	1
PLATE,WINDSHIELD,CNT,INNER (Ref # 13271C)	13271-0707	1
PLATE,WINDSHIELD (Ref # 13272)	13272-0750	1
STAY,WINDSHIELD,LH (Ref # 35063)	35063-0595	1
STAY,WINDSHIELD,RH (Ref # 35063A)	35063-0596	1
WINDSHIELD,MAIN (Ref # 39154)	39154-0044	1
BOLT,SOCKET,6X20 (Ref # 92151)	92151-1750	1
BOLT,SOCKET,8X16 (Ref # 92151A)	92151-1752	1
COLLAR (Ref # 92152)	92152-0742	1
BOLT,SOCKET,8X30 (Ref # 92153)	92153-1467	1
BOLT,SOCKET,8X40 (Ref # 92154)	92154-0186	1
DAMPER,WINDSHIELD,CNT (Ref # 92161)	92161-0330	1
DAMPER,WINDSHIELD,OUTER,LH&RH (Ref # 92161A)	92161-0332	1
DAMPER,WINDSHIELD,INNER,LH&RH (Ref # 92161B)	92161-0677	1
WASHER,6.5X14.5X1.5 (Ref # 92200)	92200-3775	1
NUT,CAP,6MM (Ref # 92210)	92210-0220	1
NUT,CAP,8MM (Ref # 92210A)	92210-1132	1