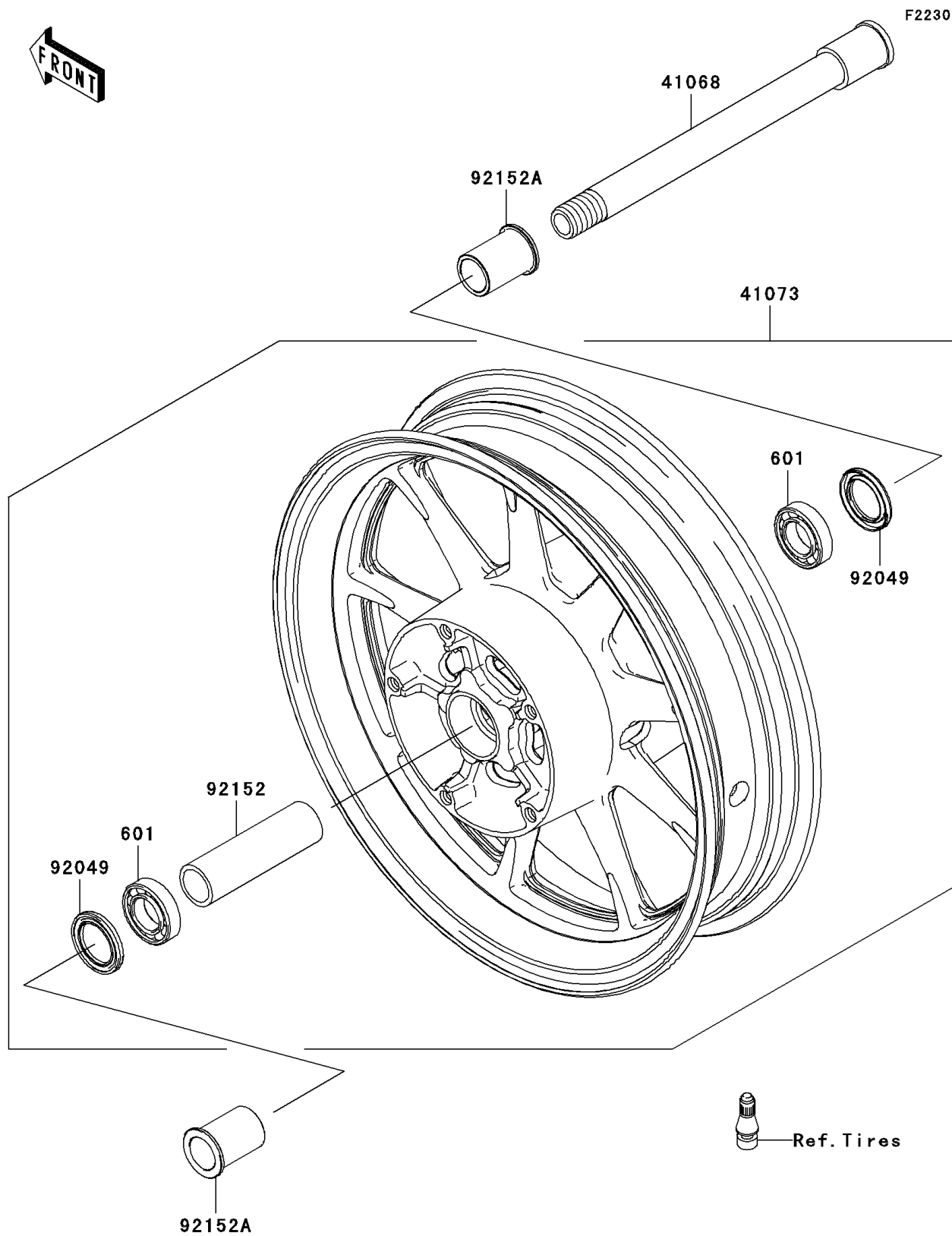


2009 Vulcan® 1700 Classic LT PARTS DIAGRAM

Front Wheel



2009 Vulcan® 1700 Classic LT PARTS LIST

Front Wheel

ITEM NAME	PART NUMBER	QUANTITY
BEARING-BALL,#6005UU (Ref # 601)	601B6005UU	1
AXLE,FR (Ref # 41068)	41068-1465	1
WHEEL-ASSY,FR,P.SILVER (Ref # 41073)	41073-0147-496	1
SEAL-OIL,BJN-C2 32X47X5 (Ref # 92049)	92049-0050	1
COLLAR,FR HUB,L=109 (Ref # 92152)	92152-1308	1
COLLAR,FR HUB,L=46.5 (Ref # 92152A)	92152-1492	1