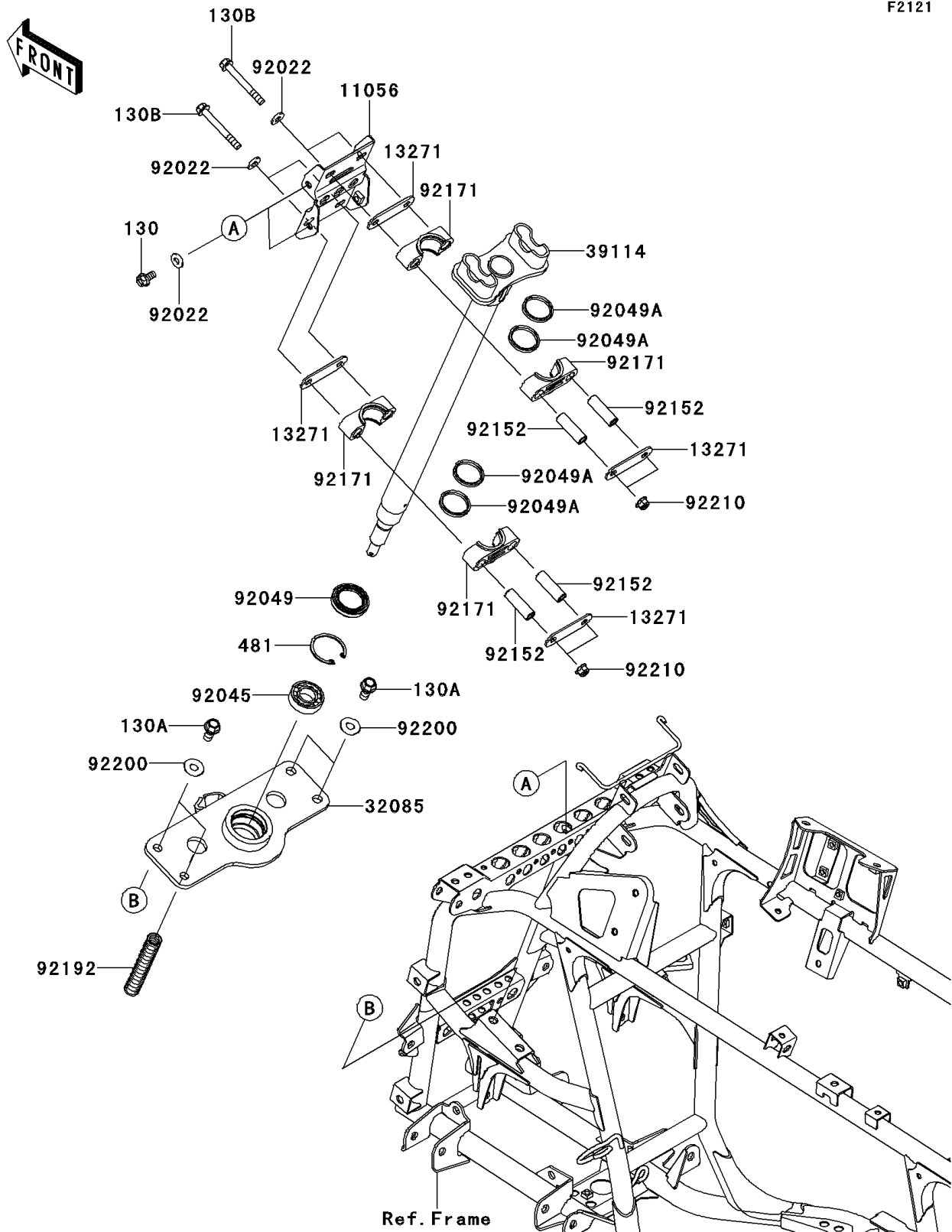


2012 Brute Force® 750 4x4i PARTS DIAGRAM

Steering Shaft

F2121



2012 Brute Force® 750 4x4i PARTS LIST

Steering Shaft

ITEM NAME	PART NUMBER	QUANTITY
BOLT-FLANGED,8X16 (Ref # 130)	130BA0816	1
BOLT-FLANGED,10X20 (Ref # 130A)	130BB1020	1
BOLT-FLANGED,8X65 (Ref # 130B)	130CA0865	1
CIRCLIP-TYPE-C,42MM (Ref # 481)	481J4200	1
BRACKET,STRG,UPP (Ref # 11056)	11056-0284	1
PLATE,STEERING,CLAMP (Ref # 13271)	13271-7506	1
STOPPER,STRG (Ref # 32085)	32085-0200	1
SHAFT-COMP-STRG (Ref # 39114)	39114-0014	1
WASHER,8.2X19X2 (Ref # 92022)	92022-1533	1
BEARING-BALL,60042RD (Ref # 92045)	92045-0113	1
SEAL-OIL,HTC 30X45X8 (Ref # 92049)	92049-1575	1
SEAL-OIL,SR31.8X37.5X3.8LR (Ref # 92049A)	92049-7501	1
COLLAR,9.1X13.95X42 (Ref # 92152)	92152-7501	1
CLAMP,STEERING (Ref # 92171)	92171-7501	1
TUBE,CORRUGATED,13X16.7X100 (Ref # 92192)	92192-0938	1
WASHER,10.5X25X1.6 (Ref # 92200)	92200-1595	1
NUT,FLANGED,LOCK,8MM (Ref # 92210)	92210-0493	1