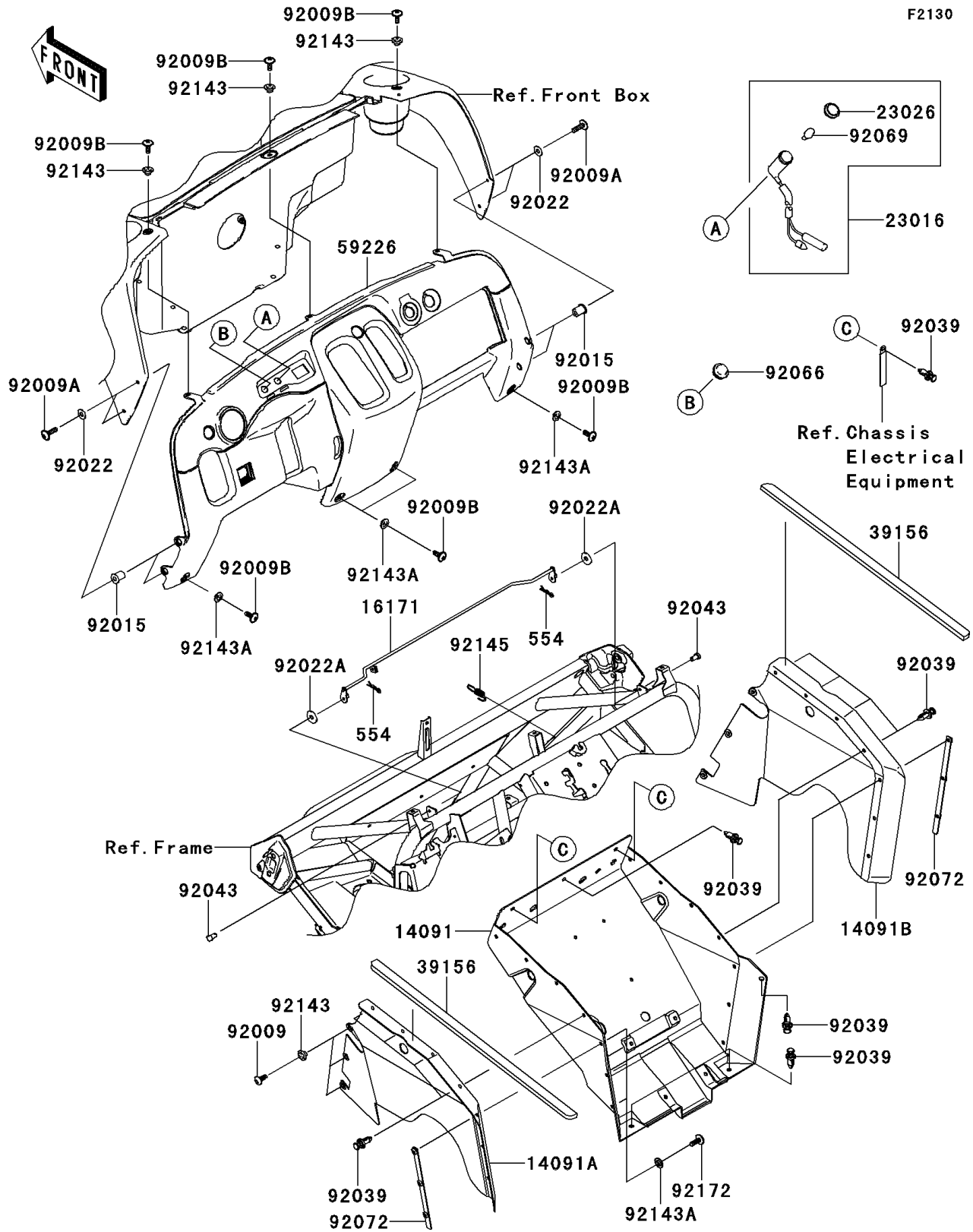


## 2011 MULE™ 600 PARTS DIAGRAM

Frame Fittings(Front)



## 2011 MULE™ 600 PARTS LIST

Frame Fittings(Front)

| ITEM NAME                              | PART NUMBER    | QUANTITY |
|--|----------------|----------|
| PIN-SNAP (Ref # 554)                   | 554DA0600      | 1        |
| COVER,FLOOR,CNT (Ref # 14091)          | 14091-0408     | 1        |
| COVER,FLOOR,SIDE,LH (Ref # 14091A)     | 14091-0424     | 1        |
| COVER,FLOOR,SIDE,RH (Ref # 14091B)     | 14091-0425     | 1        |
| LINK,HOOD (Ref # 16171)                | 16171-7501     | 1        |
| LAMP-ASSY,TEMP (Ref # 23016)           | 23016-1128     | 1        |
| LENS,TEMP LAMP (Ref # 23026)           | 23026-1157     | 1        |
| PAD (Ref # 39156)                      | 39156-0071     | 1        |
| PANEL-CONTROL,GRAY (Ref # 59226)       | 59226-0009-284 | 1        |
| SCREW,TAPPING,6X16 (Ref # 92009)       | 92009-1166     | 1        |
| SCREW,6X22,BLACK (Ref # 92009A)        | 92009-1256     | 1        |
| SCREW,6X16 (Ref # 92009B)              | 92009-1621     | 1        |
| NUT (Ref # 92015)                      | 92015-1700     | 1        |
| WASHER,6.5X16X1 (Ref # 92022)          | 92022-1143     | 1        |
| WASHER,6.5X20X1.6,BLACK (Ref # 92022A) | 92022-1346     | 1        |
| RIVET (Ref # 92039)                    | 92039-1229     | 1        |
| PIN,6X9 (Ref # 92043)                  | 92043-1626     | 1        |
| PLUG (Ref # 92066)                     | 92066-1231     | 1        |
| BULB,12V 1.7W,T10 (Ref # 92069)        | 92069-1059     | 1        |
| BAND (Ref # 92072)                     | 92072-0042     | 1        |
| COLLAR (Ref # 92143)                   | 92143-1057     | 1        |
| COLLAR (Ref # 92143A)                  | 92143-1087     | 1        |
| SPRING (Ref # 92145)                   | 92145-0215     | 1        |
| SCREW,6X18 (Ref # 92172)               | 92172-0002     | 1        |