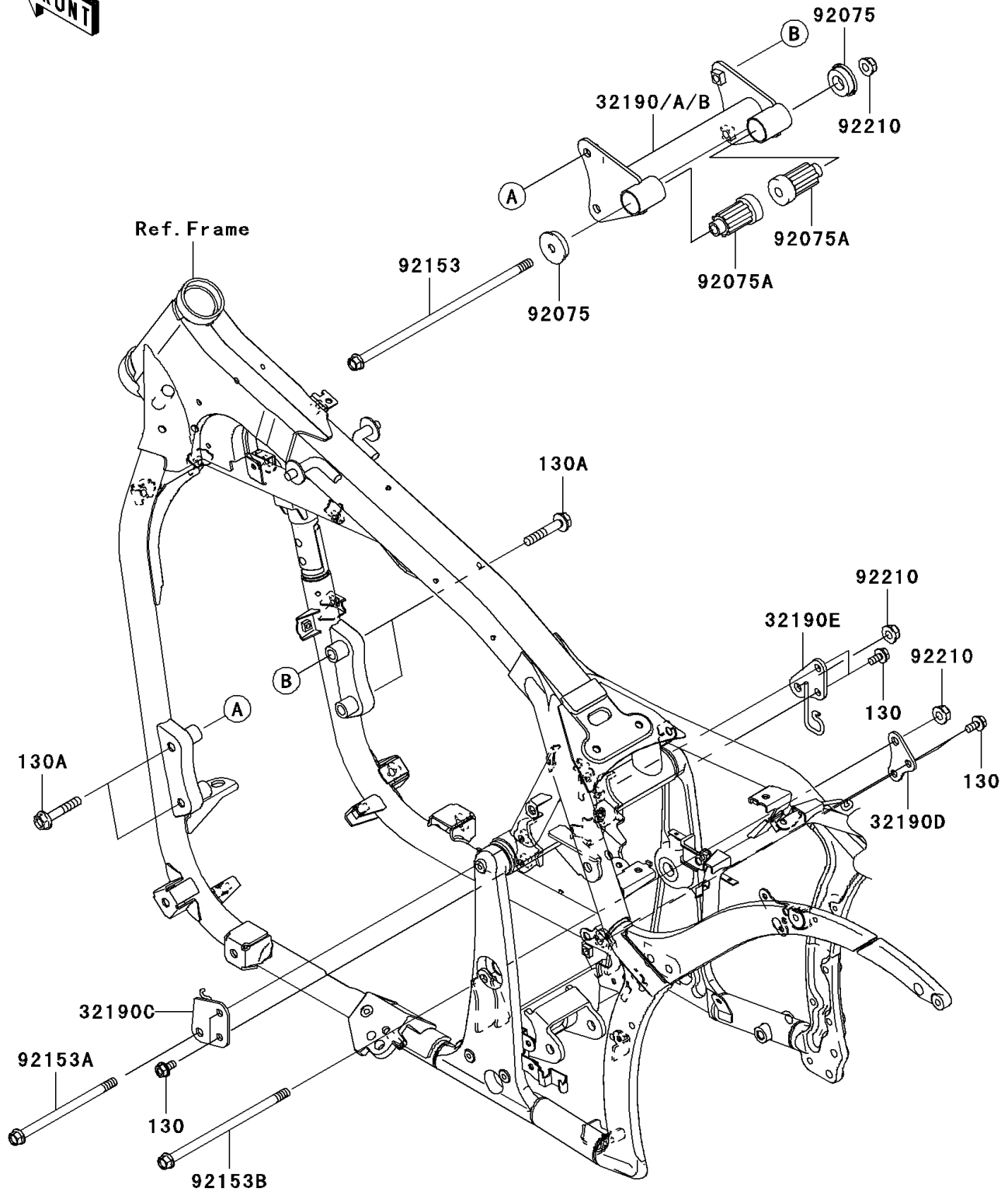


2007 Vulcan® 900 Custom PARTS DIAGRAM

Engine Mount

F2122



2007 Vulcan® 900 Custom PARTS LIST

Engine Mount

| ITEM NAME | PART NUMBER | QUANTITY |
|---|----------------|----------|
| BOLT-FLANGED,8X16 (Ref # 130) | 130BB0816 | 1 |
| BOLT-FLANGED,10X55 (Ref # 130A) | 130BB1055 | 1 |
| BRACKET-ENGINE,FR,F.S.BLACK (Ref # 32190) | 32190-0229-11E | 1 |
| BRACKET-ENGINE,RR,LH,UPP (Ref # 32190C) | 32190-0274 | 1 |
| BRACKET-ENGINE,RR,RH,LWR (Ref # 32190D) | 32190-0275 | 1 |
| BRACKET-ENGINE,RR,RH,UPP (Ref # 32190E) | 32190-0276 | 1 |
| DAMPER,ENGINE MOUNT (Ref # 92075) | 92075-1738 | 1 |
| DAMPER,ENGINE MOUNT,MAIN (Ref # 92075A) | 92075-1739 | 1 |
| BOLT,FLANGED,10X285 (Ref # 92153) | 92153-1909 | 1 |
| BOLT,FLANGED,10X158 (Ref # 92153A) | 92153-1910 | 1 |
| BOLT,FLANGED,10X198 (Ref # 92153B) | 92153-1911 | 1 |
| NUT,LOCK,FLANGED,10MM (Ref # 92210) | 92210-1081 | 1 |