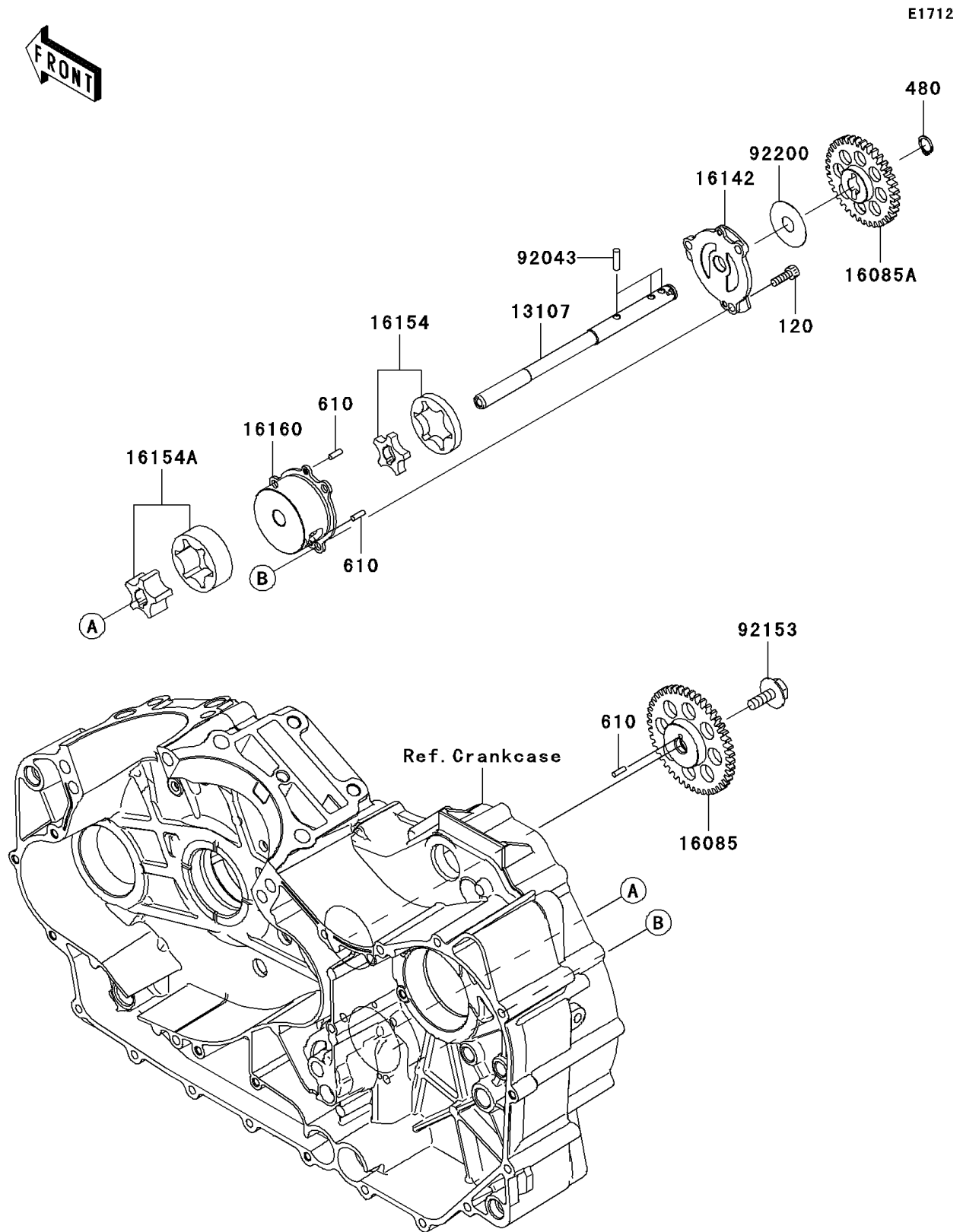


2009 Vulcan® 1700 Nomad™ PARTS DIAGRAM

Oil Pump



2009 Vulcan® 1700 Nomad™ PARTS LIST

Oil Pump

| ITEM NAME | PART NUMBER | QUANTITY |
|------------------------------------|-------------|----------|
| BOLT-SOCKET,6X18 (Ref # 120) | 120CA0618 | 1 |
| CIRCLIP-TYPE-C,13MM (Ref # 480) | 480J1300 | 1 |
| ROLLER,4X12 (Ref # 610) | 610A0412 | 1 |
| SHAFT,OIL PUMP (Ref # 13107) | 13107-0212 | 1 |
| GEAR,DRIVE,45T (Ref # 16085) | 16085-0119 | 1 |
| GEAR,DRIVEN,37T (Ref # 16085A) | 16085-0120 | 1 |
| COVER-PUMP (Ref # 16142) | 16142-0055 | 1 |
| ROTOR-PUMP,FEED (Ref # 16154) | 16154-0079 | 1 |
| ROTOR-PUMP,SCAVENGE (Ref # 16154A) | 16154-0085 | 1 |
| BODY,OIL PUMP (Ref # 16160) | 16160-0157 | 1 |
| PIN,17.9X5.0 (Ref # 92043) | 92043-1444 | 1 |
| BOLT,FLANGED,8X23 (Ref # 92153) | 92153-0549 | 1 |
| WASHER,13.2X40X0.5 (Ref # 92200) | 92200-0499 | 1 |