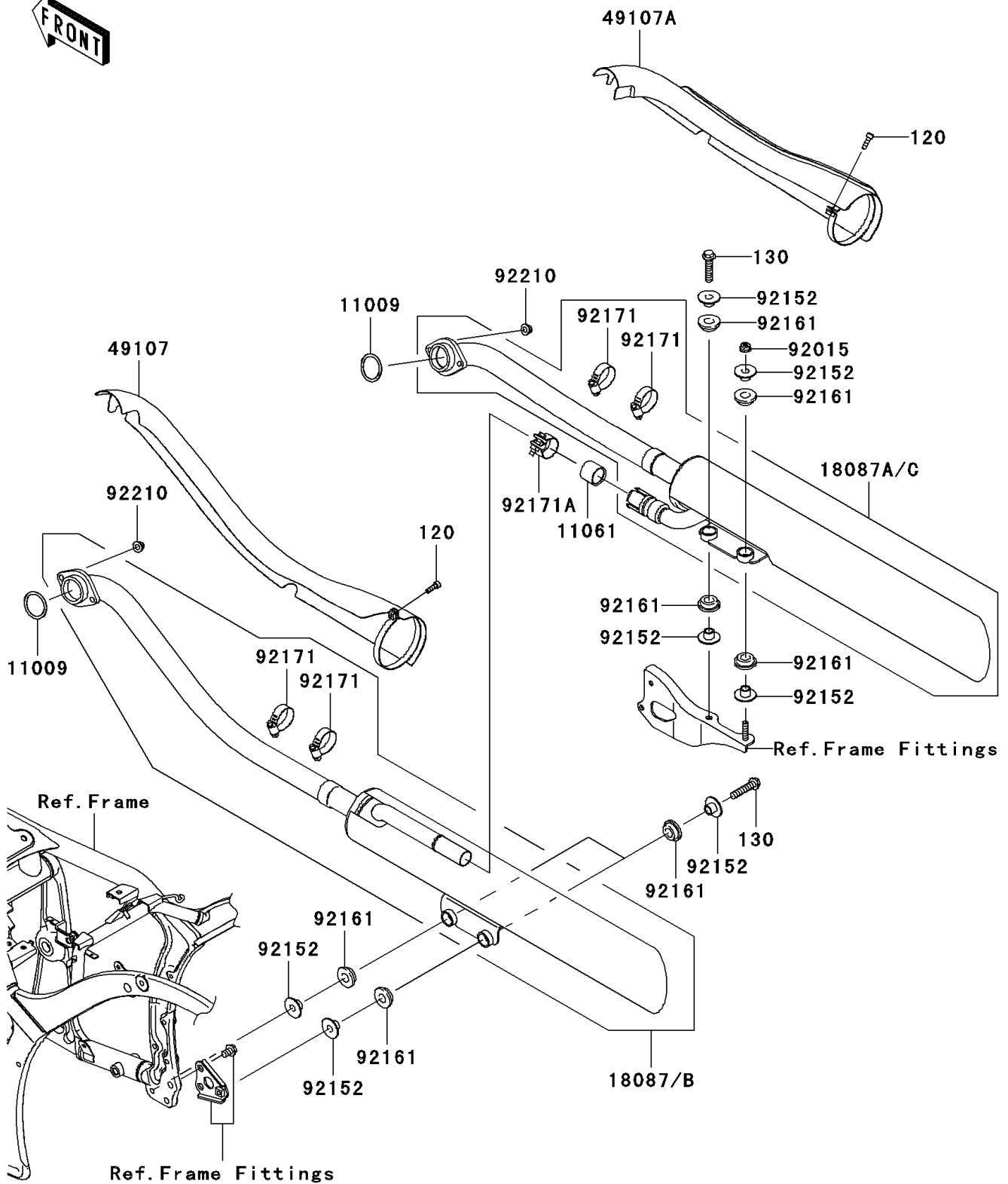


2006 Vulcan® 900 Classic LT PARTS DIAGRAM

Muffler(s)

E1140



2006 Vulcan® 900 Classic LT PARTS LIST

Muffler(s)

| ITEM NAME | PART NUMBER | QUANTITY |
|--|-------------|----------|
| BOLT-SOCKET,6X20 (Ref # 120) | 120CC0620 | 1 |
| BOLT-FLANGED,8X35 (Ref # 130) | 130BB0835 | 1 |
| GASKET,EXHAUST PIPE HOLDER (Ref # 11009) | 11009-1856 | 1 |
| GASKET,MUFFLER JOINT (Ref # 11061) | 11061-0207 | 1 |
| MUFFLER,FR (Ref # 18087) | 18087-0116 | 1 |
| MUFFLER,RR (Ref # 18087A) | 18087-0123 | 1 |
| COVER-EXHAUST PIPE (Ref # 49107) | 49107-0087 | 1 |
| COVER-EXHAUST PIPE (Ref # 49107A) | 49107-0106 | 1 |
| NUT,8MM (Ref # 92015) | 92015-1357 | 1 |
| COLLAR,8.8X12X10.6 (Ref # 92152) | 92152-0082 | 1 |
| DAMPER (Ref # 92161) | 92161-0135 | 1 |
| CLAMP (Ref # 92171) | 92171-0059 | 1 |
| CLAMP (Ref # 92171A) | 92171-0593 | 1 |
| NUT,CAP,8MM (Ref # 92210) | 92210-1132 | 1 |