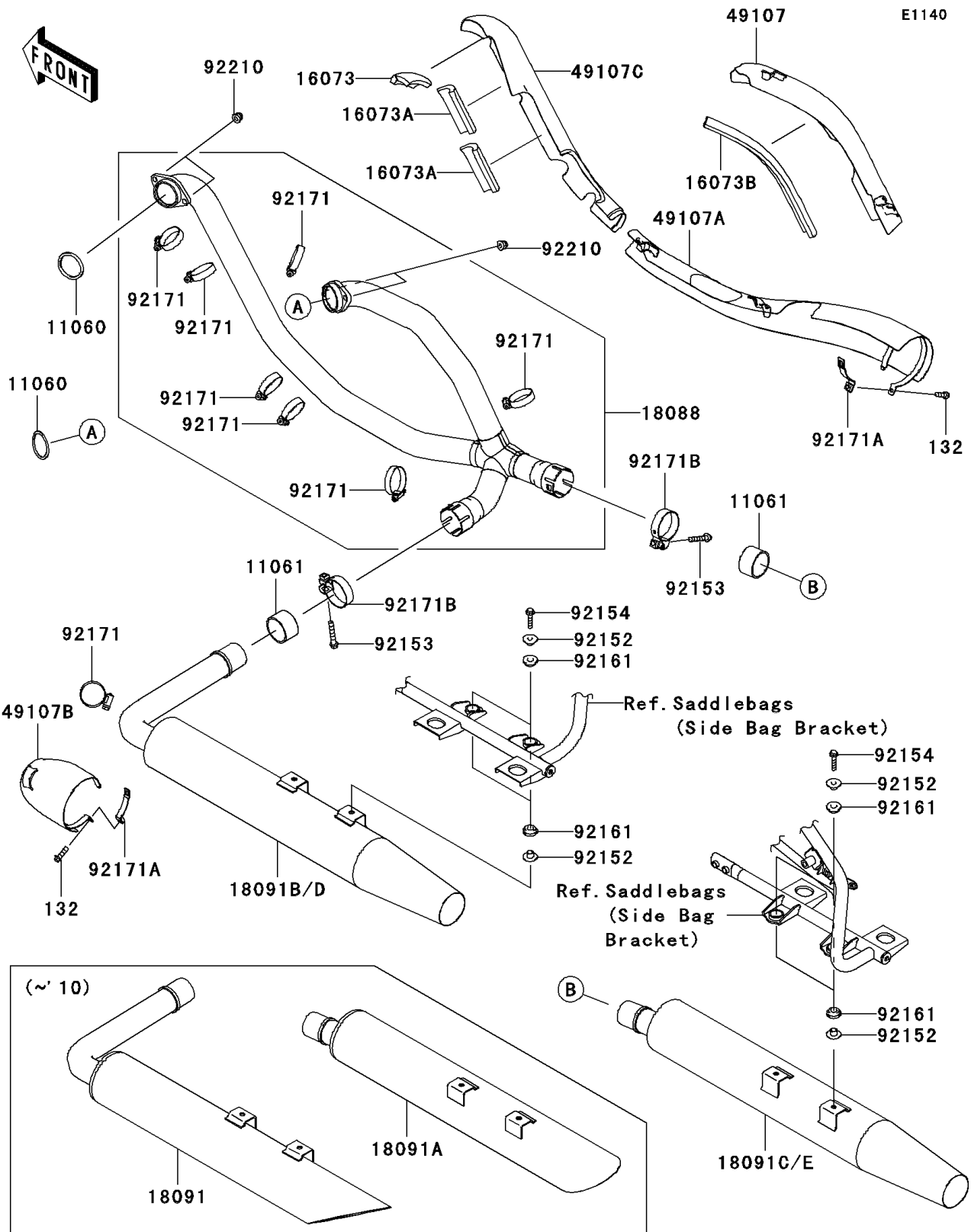


## 2009 Vulcan® 1700 Nomad™ PARTS DIAGRAM

Muffler(s)



## 2009 Vulcan® 1700 Nomad™ PARTS LIST

Muffler(s)

ITEM NAME	PART NUMBER	QUANTITY
BOLT-FLANGED-SMALL,6X20 (Ref # 132)	132BC0620	1
GASKET,EXHAUST PIPE (Ref # 11060)	11060-1119	1
GASKET,MUFFLER CONNECTING (Ref # 11061)	11061-0240	1
INSULATOR (Ref # 16073)	16073-0125	1
INSULATOR (Ref # 16073A)	16073-0126	1
INSULATOR (Ref # 16073B)	16073-0128	1
PIPE-EXHAUST (Ref # 18088)	18088-0414	1
BODY-COMP-MUFFLER,LH (Ref # 18091)	18091-0605	1
BODY-COMP-MUFFLER,RH (Ref # 18091A)	18091-0606	1
COVER-EXHAUST PIPE,RR (Ref # 49107)	49107-0122	1
COVER-EXHAUST PIPE,FR-R (Ref # 49107A)	49107-0153	1
COVER-EXHAUST PIPE,LH (Ref # 49107B)	49107-0154	1
COVER-EXHAUST PIPE,FR-F (Ref # 49107C)	49107-0172	1
COLLAR,8.8X12X10.6 (Ref # 92152)	92152-0082	1
BOLT,8X45 (Ref # 92153)	92153-0702	1
BOLT,FLANGED,8X32 (Ref # 92154)	92154-0136	1
DAMPER (Ref # 92161)	92161-0135	1
CLAMP (Ref # 92171)	92171-0072	1
CLAMP (Ref # 92171A)	92171-0294	1
CLAMP (Ref # 92171B)	92171-0358	1
NUT,CAP,8MM (Ref # 92210)	92210-1132	1