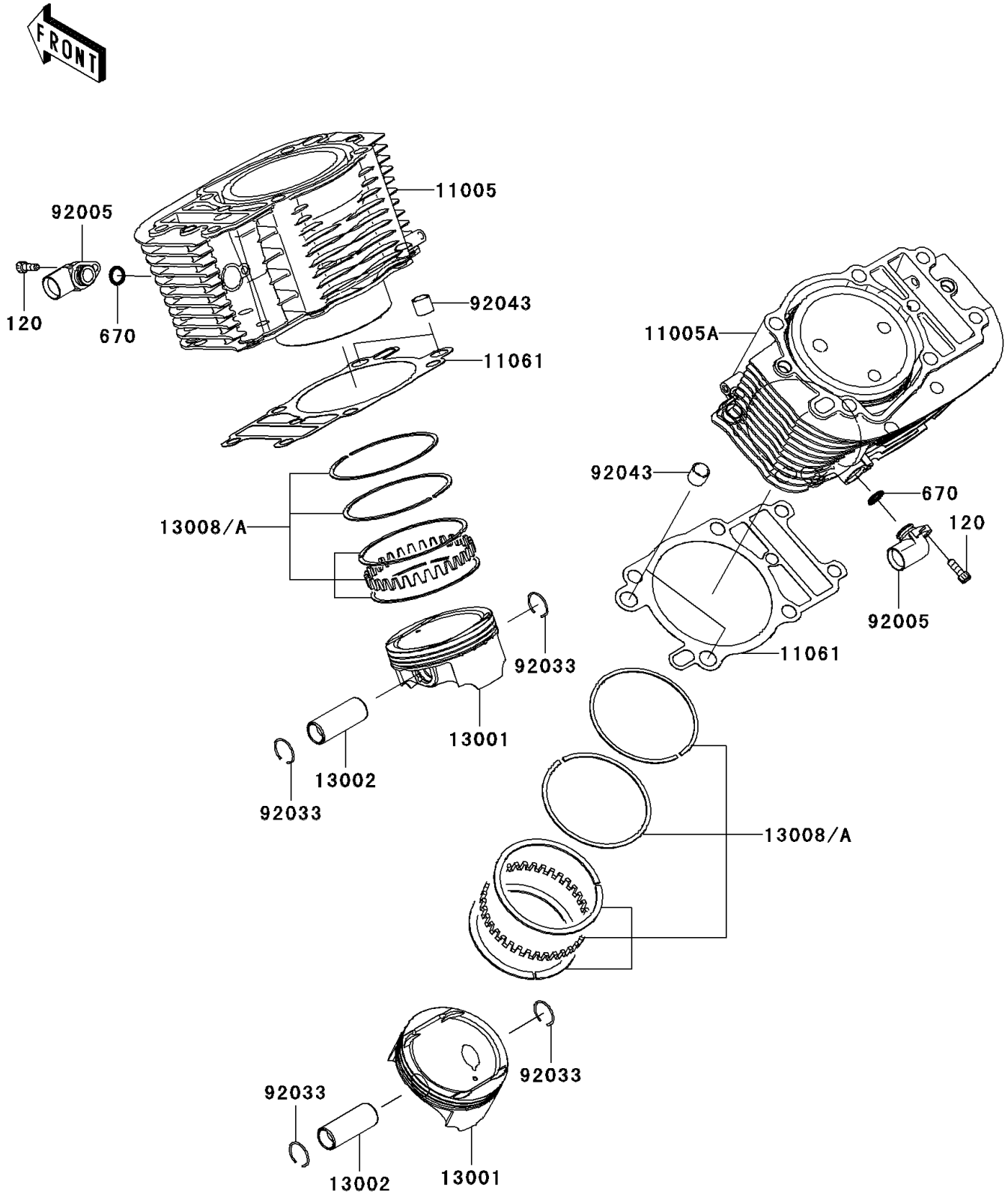


2009 Vulcan® 1700 Nomad™ PARTS DIAGRAM

Cylinder/Piston(s)

E1120



2009 Vulcan® 1700 Nomad™ PARTS LIST

Cylinder/Piston(s)

ITEM NAME	PART NUMBER	QUANTITY
BOLT-SOCKET,6X18 (Ref # 120)	120CB0618	1
O RING,15MM (Ref # 670)	670B2015	1
CYLINDER-ENGINE,FR (Ref # 11005)	11005-0103	1
CYLINDER-ENGINE,RR (Ref # 11005A)	11005-0104	1
GASKET,CYLINDER BASE (Ref # 11061)	11061-0335	1
PISTON-ENGINE (Ref # 13001)	13001-0124	1
PIN-PISTON (Ref # 13002)	13002-0023	1
RING-SET-PISTON (Ref # 13008A)	13008-1218	1
FITTING (Ref # 92005)	92005-0098	1
RING-SNAP (Ref # 92033)	92033-3721	1
PIN,13X16X14 (Ref # 92043)	92043-1608	1