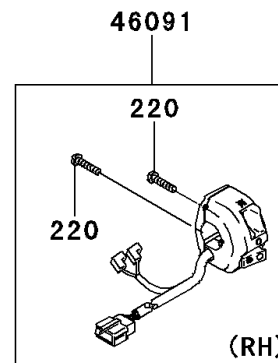
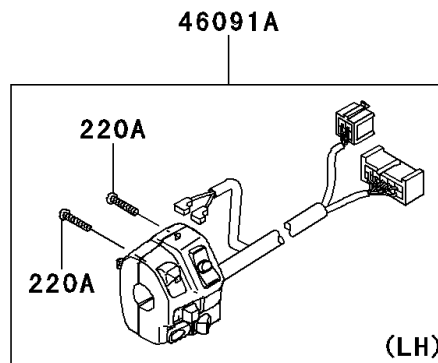
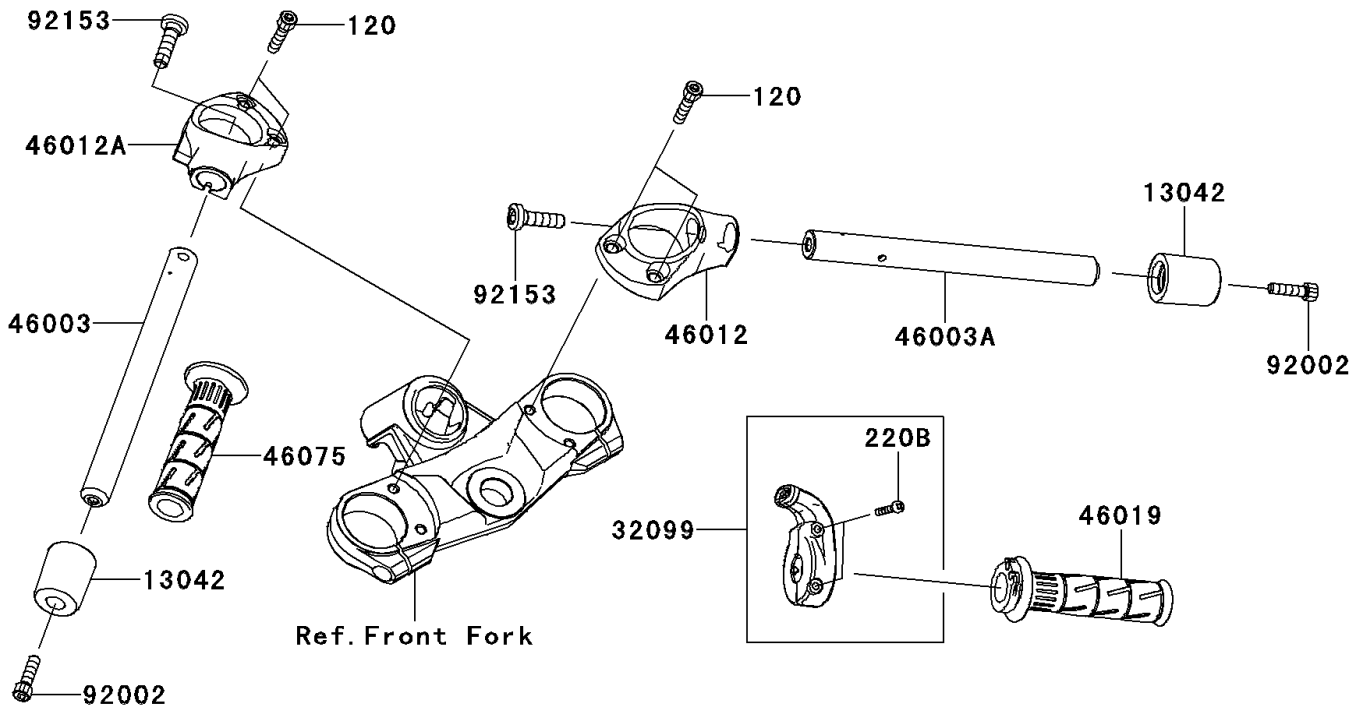


2013 NINJA® ZX™-14R ABS PARTS DIAGRAM

Handlebar

F2310



2013 NINJA® ZX™-14R ABS PARTS LIST

Handlebar

| ITEM NAME | PART NUMBER | QUANTITY |
|--|-------------|----------|
| BOLT-SOCKET,8X35 (Ref # 120) | 120R0835 | 1 |
| SCREW-PAN-CROS,5X22 (Ref # 220) | 220AB0522 | 1 |
| SCREW-PAN-CROS,5X25 (Ref # 220A) | 220AB0525 | 1 |
| SCREW-PAN-CROS,5X35 (Ref # 220B) | 220AB0535 | 1 |
| WEIGHT,HANDLE (Ref # 13042) | 13042-5006 | 1 |
| CASE,THROTTLE (Ref # 32099) | 32099-0049 | 1 |
| HANDLE,LH (Ref # 46003) | 46003-0564 | 1 |
| HANDLE,RH (Ref # 46003A) | 46003-0565 | 1 |
| HOLDER-HANDLE,RH (Ref # 46012) | 46012-0316 | 1 |
| HOLDER-HANDLE,LH (Ref # 46012A) | 46012-0317 | 1 |
| GRIP-ASSY,THROTTLE (Ref # 46019) | 46019-0001 | 1 |
| GRIP,HANDLE,LH (Ref # 46075) | 46075-1144 | 1 |
| HOUSING-ASSY-CONTROL,RH (Ref # 46091) | 46091-0145 | 1 |
| HOUSING-ASSY-CONTROL,LH (Ref # 46091A) | 46091-0241 | 1 |
| BOLT,SOCKET,8X30 (Ref # 92002) | 92002-1844 | 1 |
| BOLT,SOCKET,10X37 (Ref # 92153) | 92153-1440 | 1 |