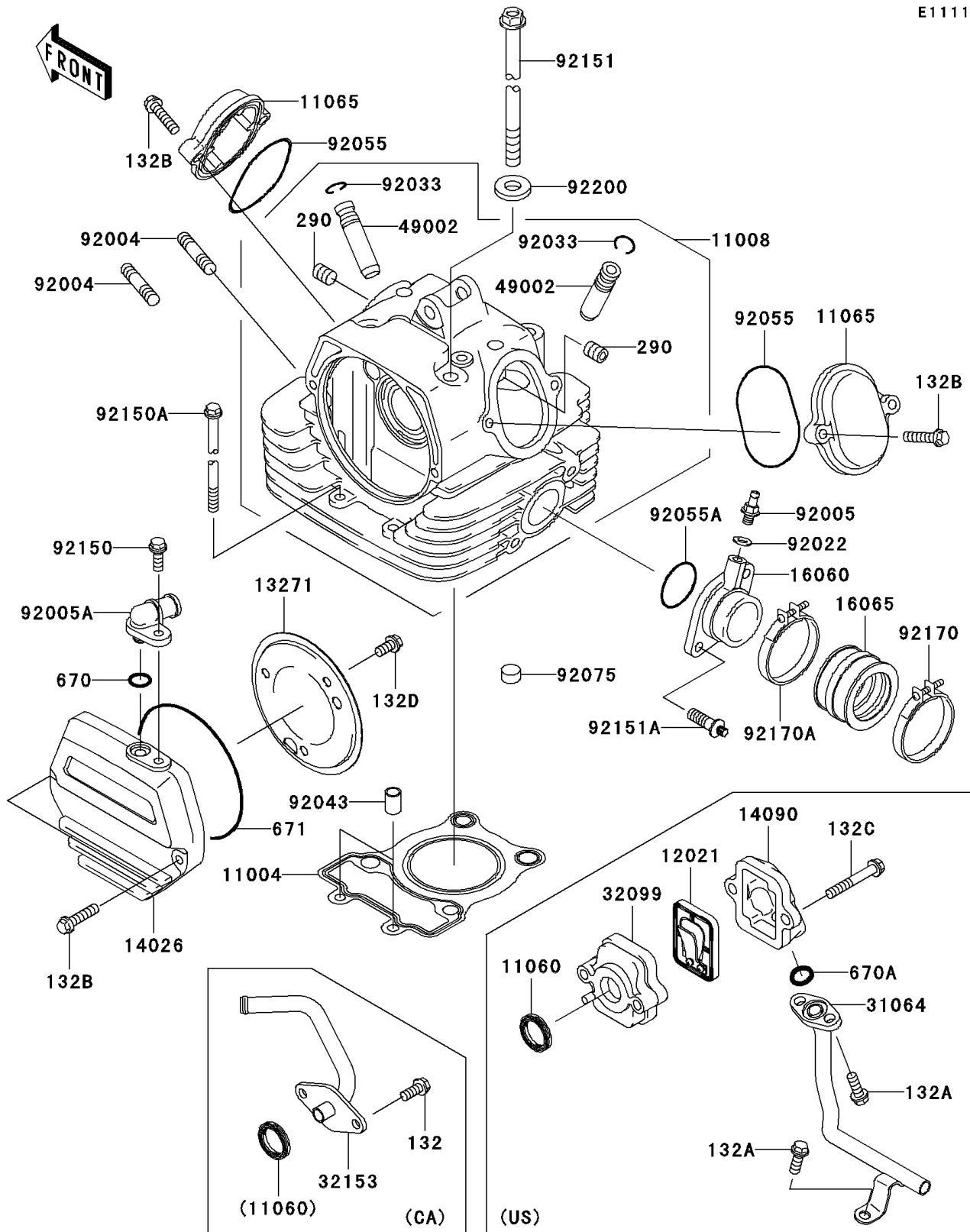


## 2006 Eliminator® 125 PARTS DIAGRAM

Cylinder Head

E1111



## 2006 Eliminator® 125 PARTS LIST

Cylinder Head

ITEM NAME	PART NUMBER	QUANTITY
BOLT-FLANGED-SMALL,6X25 (Ref # 132B)	132BA0625	1
GASKET-HEAD (Ref # 11004)	11004-1335	1
HEAD-COMP-CYLINDER (Ref # 11008)	11008-1384	1
GASKET, REED VALVE (Ref # 11060)	11060-1815	1
CAP,ROCKER CASE (Ref # 11065)	11065-0077	1
PLATE,BREATHER (Ref # 13271)	13271-1109	1
COVER-CHAIN,CAM SPROCKET (Ref # 14026)	14026-1256	1
PIPE-INTAKE (Ref # 16060)	16060-1084	1
HOLDER-CARBURETOR (Ref # 16065)	16065-1335	1
GUIDE-VALVE (Ref # 49002)	49002-1116	1
STUD,8X30 (Ref # 92004)	92004-1121	1
FITTING,BLEED PIPE (Ref # 92005)	92005-1337	1
FITTING,BREATHER (Ref # 92005A)	92005-1342	1
WASHER,6.1X12X1 (Ref # 92022)	92022-077	1
RING-SNAP (Ref # 92033)	92033-1247	1
PIN,12X14 (Ref # 92043)	92043-4009	1
RING-O,53.5X2.6 (Ref # 92055)	92055-112	1
RING-O,32MM (Ref # 92055A)	92055-1256	1
DAMPER (Ref # 92075)	92075-1089	1
BOLT,FLANGED,6X16 (Ref # 92150)	92150-1394	1
BOLT,6X110 (Ref # 92150A)	92150-1986	1
BOLT,9X228.5 (Ref # 92151)	92151-1092	1
BOLT,6X18 (Ref # 92151A)	92151-1726	1
CLAMP,CARBURETOR HOLDER (Ref # 92170)	92170-1094	1
CLAMP,43MM (Ref # 92170A)	92170-1527	1
WASHER,9.5X18X1.2 (Ref # 92200)	92200-1037	1
BOLT-FLANGED-SMALL,6X12 (Ref # 132D)	132BD0612	1
SCREW-SET-SOCKET,6X6 (Ref # 290)	290Q0606	1
O RING,10MM (Ref # 670)	670B1510	1

## 2006 Eliminator® 125 PARTS LIST

Cylinder Head

ITEM NAME	PART NUMBER	QUANTITY
O RING (Ref # 671)	671E2595	1
BOLT-FLANGED-SMALL,6X14 (Ref # 132)	132BA0614	1
BOLT-FLANGED-SMALL,6X16 (Ref # 132A)	132BA0616	1
BOLT-FLANGED-SMALL,6X40 (Ref # 132C)	132BA0640	1
VALVE-ASSY-REED (Ref # 12021)	12021-1102	1
COVER,REED VALVE (Ref # 14090)	14090-1852	1
PIPE-COMP (Ref # 31064)	31064-1205	1
CASE,REED VALVE (Ref # 32099)	32099-1187	1
PIPE (Ref # 32153)	32153-1560	1
O RING,10MM (Ref # 670A)	670B2010	1